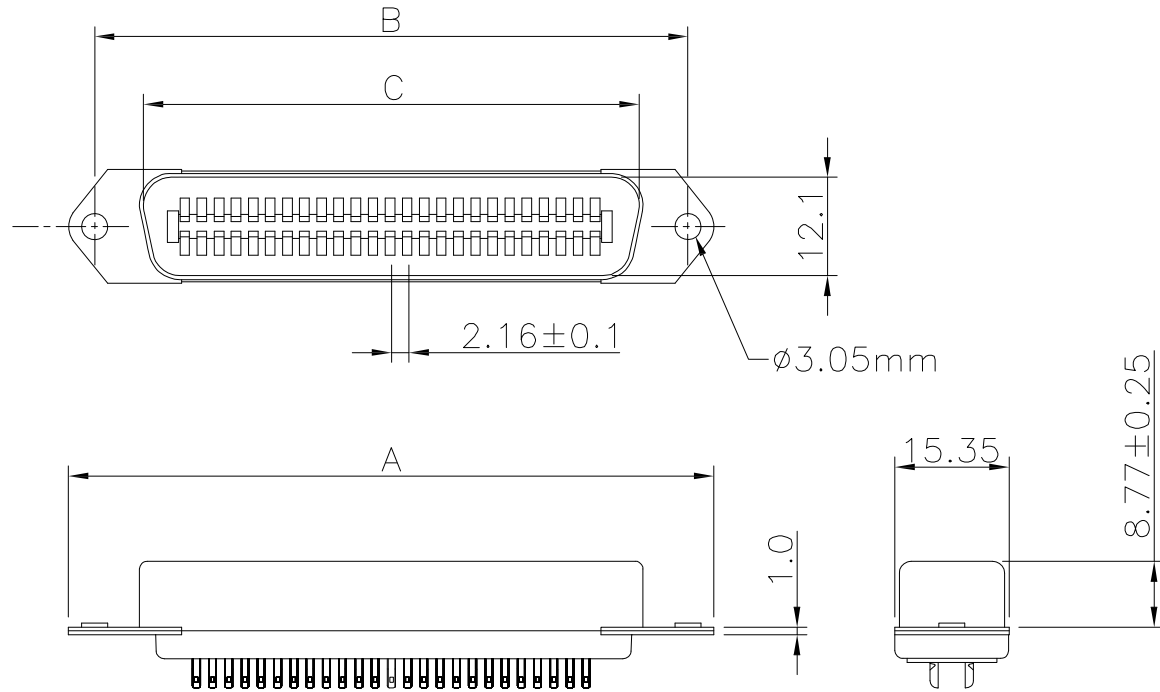


CUST. MODEL:	REF:
CUST. P/N:	DWG FILE:

DESCRIPTION CONTROL			
REV.	DESC.	DATE.	APP.
1.0			

### Material & Finish

- SHELL:**  
Steel  
Zinc plated, Tin plated  
or Nickel plated steel
- PIN CONTACT:**  
Phosphor bronze or Brass  
Gold plated
- INSULATOR:**  
PBT & Glass-fibre reinforced  
UL-94-V0
- NUMBER OF CONTACT:**  
14,24,36,50
- CURRENT RATING:**  
5 Amp
- DIELECTRIC STRENGTH:**  
1000V for one minute
- INSULATOR RESISTANCE:**  
1000MΩ Min. (at 500V DC)
- TEMPERATURE:**  
-55° C to +105° C



DS100- □ □ □ □ □ □

No. OF PINS:  
14,24,36,50

Contact type:  
2:Male

Contact:  
0:Gold flash and Tinned Tail  
1:15u" Gold on contact  
2:30u" Gold on contact  
3>Selective Gold (Full Gold)

Position of clinch nut:  
0:3.05mm clear hole  
1:Riveted front shell  
2:Riveted rear shell

Flange Mounting Option:  
0: 3.05mm clear hole  
1: #4-40 threaded hole  
2: M3 threaded hole  
3: M2.6 threaded hole  
4: None(for shell with bail ear)

Positions	A	B	C
14	43.9	36.0	25.6
24	54.7	46.8	36.3
36	67.7	59.7	49.3
50	82.8	74.9	64.4

UNLESS OTHERWISE SPECIFIED SURFACE FINISH ALL OVER TOLERANCES mm

METRIC  
X. = ±0.5  
.X = ±0.30  
.XX = ±0.25  
.XXX = ±0.15

DRAW: BEN  
DATE: 05/17/05  
CHECK: KEVIN  
APPROVE: TONY

TITLE: CENTRONIC SOLDER TYPE MALE  
MODEL CODE: DS100-XX2XXX



誠州電子有限公司  
Sincere State Electronics Co.,Ltd.

NO.	DESCRIPTION	QTY
-----	-------------	-----