

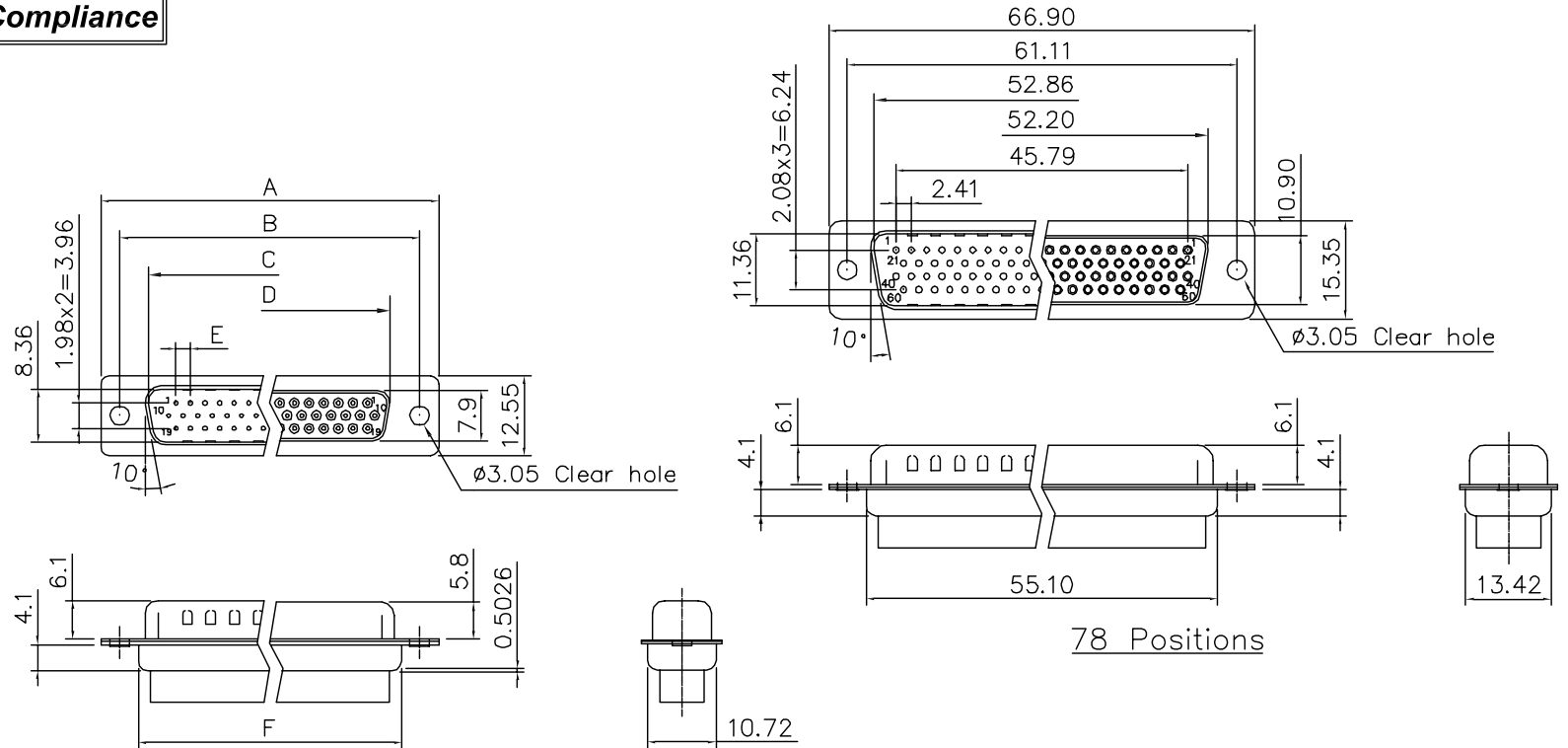
CUST. MODEL:	REF.
CUST. P/N	DWG FILE:

DESCRIPTION CONTROL			
REV.	DESC.	DATE	APP.

Insulator resistance:  
1000 Megohms Min.  
Dielectric withstanding:  
DC 1000V for 1 minute

**RoHS Compliance**

Insulator:  
Glass-Filled Thermoplastic PBT  
UL94V-0 rated  
Shell:  
Steel, 100u" Tin Over 50u" min  
Copper  
Clinch Nut:  
Brass, 100u" min Nickel Plated  
Screwlock:  
Brass, 100u" min Nickel Plated



DS017-□□□□□□

No. OF PINS:  
09,15,25,37

Contact type:  
1:Male,2:Female

Contact:  
1:Gold flash and Tinned Tail  
2:15u" Gold on contact  
3:30u" Gold on contact  
4:Selective Gold (full Gold)

Position of clinch nut:  
0:3.05mm clear hole  
1:Riveted front shell  
2:Riveted rear shell  
3:Riveted boardlock

Flange Mounting Option:  
0: 3.05mm clear hole  
1: #4-40 threaded hole  
2: #4-40 threaded hole with #4-40 unc screwlock installed  
3: #4-40 threaded hole with #4-40 unc screwlock bulk-packed  
4: M3 threaded hole  
5: M3 threaded hole with M3 screwlock installed  
6: M2.6 threaded hole  
7: M2.6 threaded hole with M2.6 screwlock installed

Dimensions

Positions	A	B	C	D	E	F
15	30.81	24.99	16.92	16.33	2.29	19.20
26	39.14	33.32	25.50	24.66	2.29	27.70
44	53.04	47.04	38.96	38.38	2.29	41.10
62	69.32	63.50	55.42	54.84	2.41	57.30

UNLESS OTHERWISE  
SPECIFIED SURFACE  
FINISH ALL OVER  
TOLERANCES mm

METRIC

.X = ±0.38  
.XX = ±0.25

DRAW: CHUBBY  
DATE: 01/10/07  
CHECK: KEVIN  
APPROVE: TONY

TITLE: D-Sub HDD Crimp Type

MODEL CODE: DS017-XXXXXX



誠州電子有限公司  
Sincere State Electronics Co.,Ltd.

NO	DESCRIPTION	QTY
----	-------------	-----