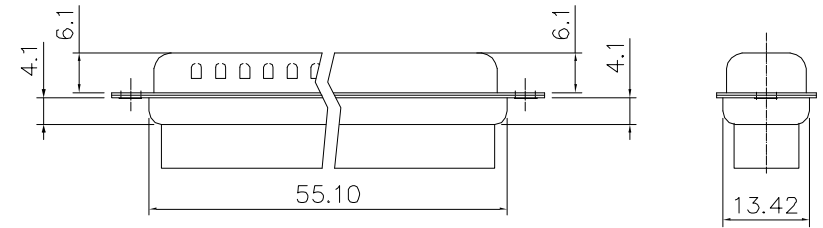
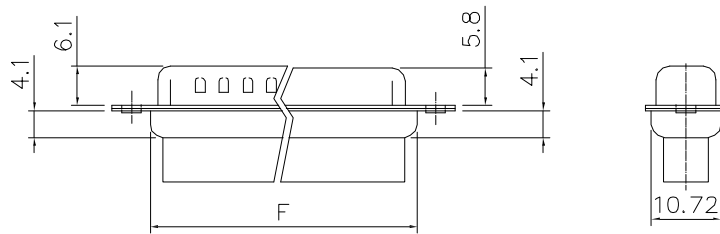
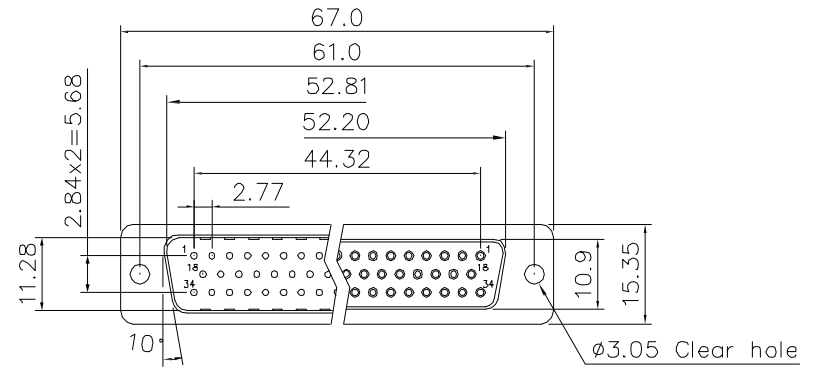
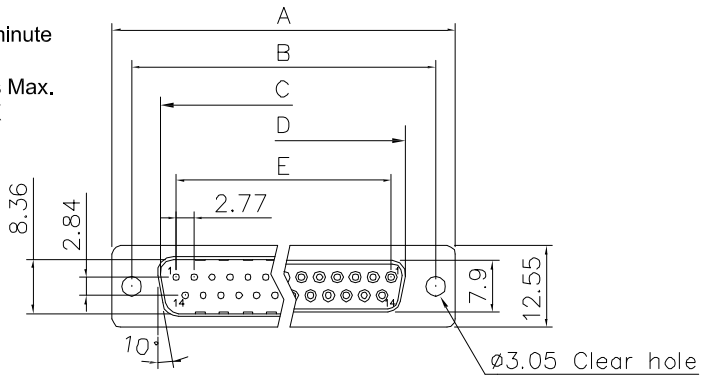


CUST. MODEL:	REF.
CUST. P/N	DWG FILE:

DESCRIPTION CONTROL			
REV.	DESC.	DATE	APP.

RoHS Compliance

Voltage Rating:500V AC R.M.S.
 Current Rating: 3.0 Amps
 Insulator resistance: 1000 Megohms Min.
 Dielectric withstanding: DC 1000V for 1 minute
 Operating Temperature: -40 ~ +105 °C
 Contact resistance:20miliohms Megohms Max.
 Insulator Material:PBT (UL94V-0) BLACK



50 Positions

DS015-□□□□□□□□

No. OF PINS:
9,15,25,37

Contact type:
1:Male,2:Female

Color:
NA:Black
1:White
2:Blue

Shell Plated:
0:NI
1:TIN

Contact:
1:Gold flash and Tinned Tail
2:15u" Gold on contact
3:30u" Gold on contact
4:Selective Gold (full Gold)

Position of clinch nut:
0:3.05mm clear hole
1:Riveted front 5.9mm
2:Riveted rear 5.9mm

Flange Mounting Option:
0: 3.05mm clear hole
1: #4-40 threaded hole
2: #4-40 threaded hole with #4-40 unc screwlock installed
3: #4-40 threaded hole with #4-40 unc screwlock bulk-packed
4: M3 threaded hole
5: M3 threaded hole with M3 screwlock installed
6: M2.6 threaded hole
7: M2.6 threaded hole with M2.6 screwlock installed

Dimensions

Positions	A	B	C	D	E	F
9	30.81	24.99	16.92	16.33	11.08	19.20
15	39.20	33.30	25.25	24.70	19.39	27.70
25	53.05	47.04	38.96	38.40	33.24	41.10
37	69.40	63.50	55.42	54.80	49.86	57.30

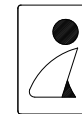
UNLESS OTHERWISE SPECIFIED SURFACE FINISH ALL OVER TOLERANCES mm

METRIC

.X = ±0.38
.XX = ±0.25

DRAW: CHUBBY
DATE: 01/10/05
CHECK: KEVIN
APPROVE: TONY

TITLE: D-Sub Crimp Type
MODEL CODE: DS015-XXXXXXXX



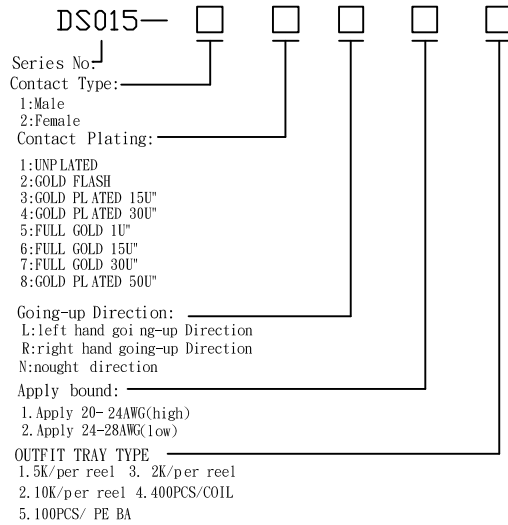
誠州電子有限公司
Sincere State Electronics Co.,Ltd.

NO	DESCRIPTION	QTY
----	-------------	-----

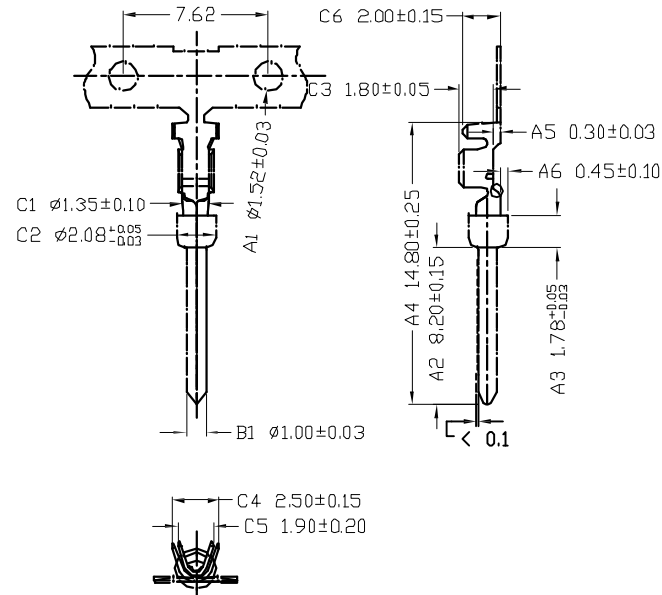
CUST. MODEL:	REF.
CUST. P/N	DWG FILE:

DESCRIPTION CONTROL			
REV.	DESC.	DATE	APP.

Ordering Information

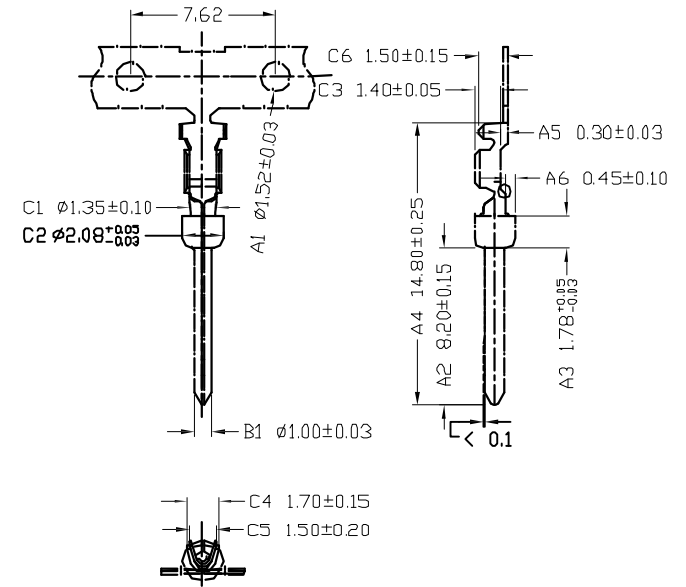


CRIMP High feet male terminal



1. Apply 20-24AWG(high)

CRIMP Low feet male terminal



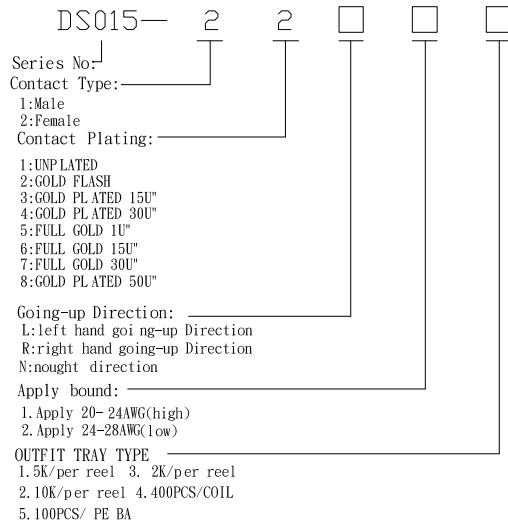
2. Apply 24-28AWG(low)

UNLESS OTHERWISE SPECIFIED SURFACE FINISH ALL OVER TOLERANCES mm METRIC .X = ± 0.38 .XX = ± 0.25	DRAW:	DATE:	TITLE:
	<i>Chubby</i>	01/10/05	D-Sub Crimp Terminal male
	CHECK:	APPROVE:	MODEL CODE:
	KEVIN	<i>TONY</i>	DS015-12NX5
			誠州電子有限公司 <i>Sincere State Electronics Co.,Ltd.</i>

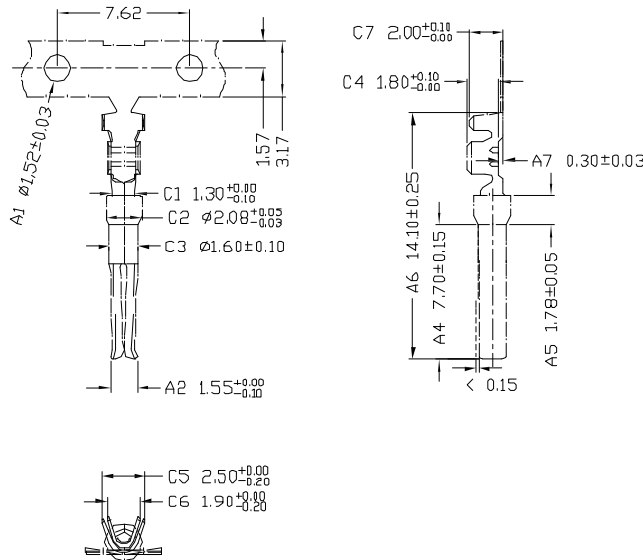
CUST. MODEL:	REF.
CUST. P/N	DWG FILE:

DESCRIPTION CONTROL			
REV.	DESC.	DATE	APP.

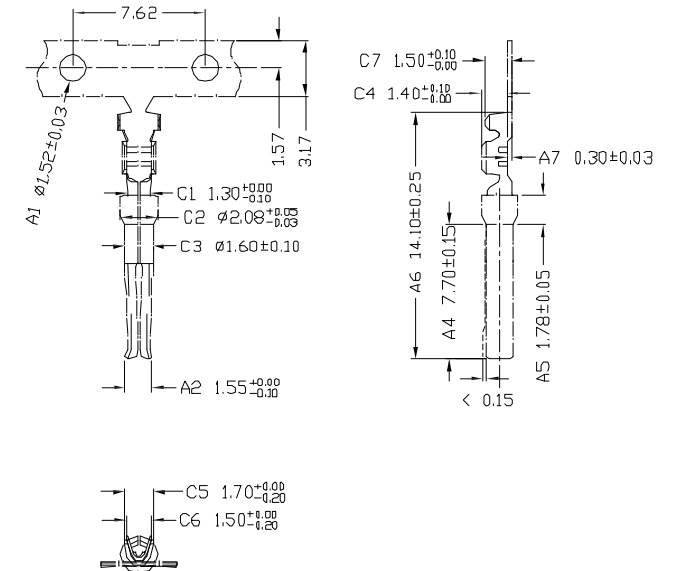
Ordering Information



CRIMP High feet female terminal



CRIMP Low feet female terminal



UNLESS OTHERWISE SPECIFIED SURFACE FINISH ALL OVER TOLERANCES mm METRIC .X = ± 0.38 .XX = ± 0.25	DRAW: <i>Chubby</i>	DATE: 01/10/05	TITLE: D-Sub Crimp Terminal female
	CHECK: KEVIN	APPROVE: <i>TONY</i>	MODEL CODE: DS015-22NX5
			誠州電子有限公司 <i>Sincere State Electronics Co.,Ltd.</i>