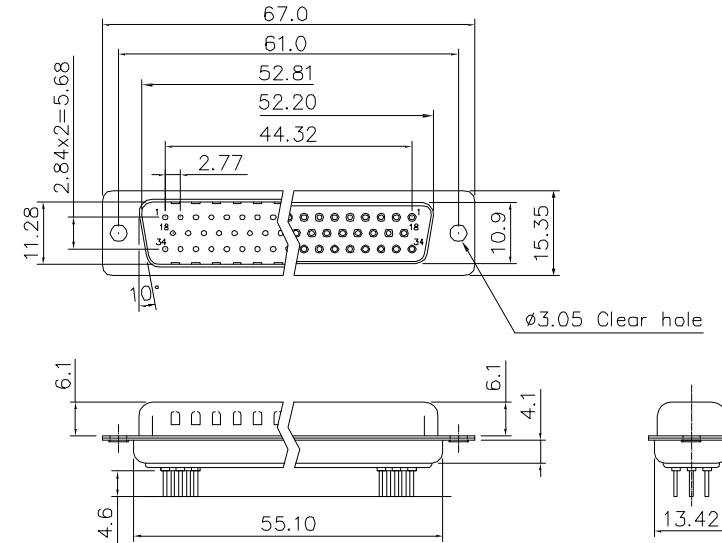
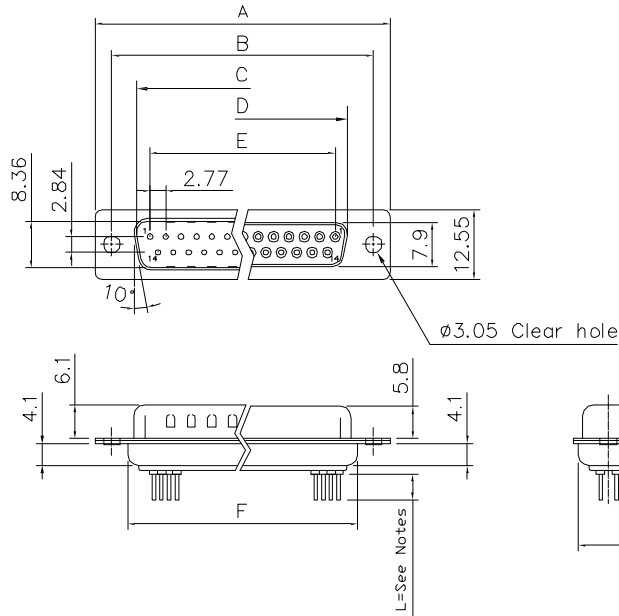


|              |           |
|--------------|-----------|
| CUST. MODEL: | REF.      |
| CUST. P/N    | DWG FILE: |

| DESCRIPTION CONTROL |       |      |      |
|---------------------|-------|------|------|
| REV.                | DESC. | DATE | APP. |

**RoHS Compliance**

Current Rating:3.0 Amps  
Voltage Rating:  
250V AC R.M.S.  
Insulator resistance:  
1000 Megohms Min.  
Dielectric withstanding:  
DC 1000V for 1 minute  
Contact resistance:  
20 miliohms Megohms Max.  
Operating Temperature:  
-55 ~ +85 °C  
Contact Material:Brass  
Insulator Material:  
PBT(UL94V-0)

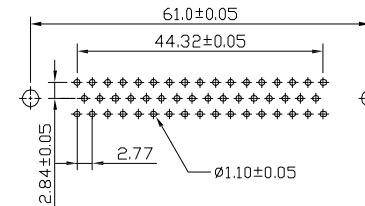
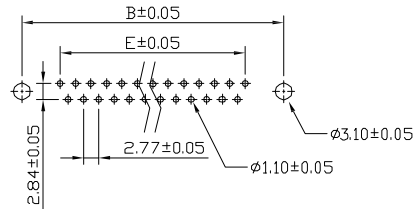


50 POSITIONS

Notes:

Pin Type:L

- 11:Stamped pin 3.2mm
- 12:Stamped pin 4.3mm
- 13:Stamped pin 4.6mm
- 14:Stamped pin 5.0mm
- 2A:Machined pin 4.7mm
- 2B:Machined pin 5.5mm
- 2C:Machined pin 6.2mm
- 2D:Machined pin 8.5mm
- 2E:Machined pin 9.52mm
- 2F:Machined pin 11mm
- 2G:Machined pin 12.6mm



DIMENSION TABLE

| POSITIONS | A±0.15 | B±0.10 | C±0.15 | D±0.13 | E±0.08 | F±0.10 |
|-----------|--------|--------|--------|--------|--------|--------|
| 9         | 30.81  | 24.99  | 16.92  | 16.33  | 11.08  | 19.20  |
| 15        | 39.20  | 33.30  | 25.25  | 24.70  | 19.39  | 27.70  |
| 25        | 53.05  | 47.04  | 38.96  | 38.40  | 33.24  | 41.10  |
| 37        | 69.40  | 63.50  | 55.42  | 54.80  | 49.86  | 57.30  |

DS002-□□□□□□□□□□

No. OF PINS:  
09,15,25,37  
50

Contact type:  
1:Male,2:Female

Contact:  
1:Gold flash and Tinned Tail  
2:15u" Gold on contact  
3:30u" Gold on contact  
4:Selective Gold (Full Gold)

Position of clinch nut:  
0:3.05mm clear hole  
1:Riveted front 5.9mm  
2:Riveted rivet 5.9mm  
3:Rivet +2 prong  
boardlock 6.0\*3.2mm

See Notes

Pin Type  
1:Stamped pin  
2:Machined pin

Insulator Color  
1:Blue  
2:Black  
3:White

Shell Plated  
1:Ni  
2:Tin

Flange Mounting Option:  
0: 3.05mm clear hole  
1: #4-40 threaded hole  
2: #4-40 threaded hole with #4-40 unc screwlock installed  
3: #4-40 threaded hole with #4-40 unc screwlock bulk-packed  
4: M3 threaded hole  
5: #4-40 threaded hole with M3 screwlock installed  
6: M2.6 threaded hole  
7: #4-40 threaded hole with M2.6 screwlock installed

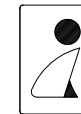
UNLESS OTHERWISE SPECIFIED SURFACE FINISH ALL OVER TOLERANCES mm

METRIC

- .X =  $\pm 0.38$
- .XX =  $\pm 0.25$

DRAW: *Chubby*  
DATE: 06/25/06  
CHECK: KEVIN  
APPROVE: *TONY*

TITLE: D-Sub Straight DIP Type  
MODEL CODE: DS002-XXXXXX2XXX



誠州電子有限公司  
Sincere State Electronics Co.,Ltd.

| NO | DESCRIPTION | QTY |
|----|-------------|-----|
|----|-------------|-----|