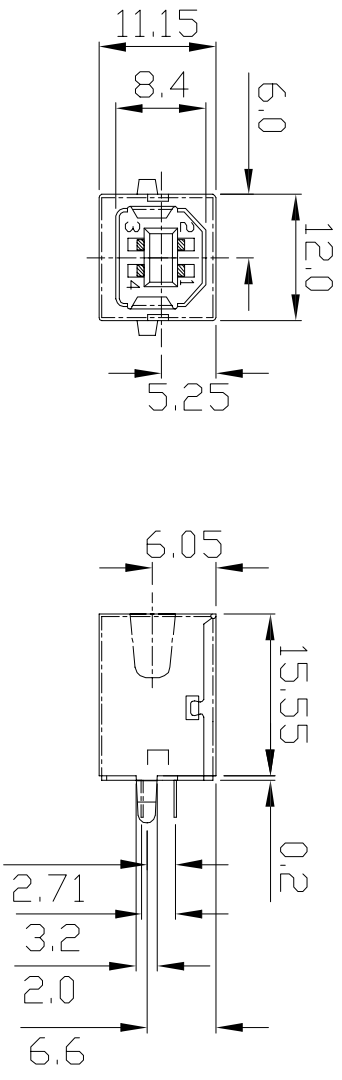


CUST. MODEL:	REF.
CUST. P/N	DWG FILE:

DESCRIPTION CONTROL			
REV.	DESC.	DATE	APP.

SPECIFICATIONS

Current Rating: 1.0A MAX
Voltage rating: 30V AC (rms)
Insulator Resistance: 100 Megohms min.
Contact Resistance: 30 m ohms max.
Dielectric withstanding: DC 500V/minute
Temperature Range: -40°C to +85°C
Total Mating Force: 3.57 kgf max
Total Unmating Force: 1.0 kgf min



A: A Type
B: B Type
C: 1394
D: MINI

No. OF PINS:

S10: Single port 90°
S15: Single port 180°
S20: Dual port 90°
S30: SMT

Gold Thickness
00: None
03: 3µ"
05: 5µ"
10: 10µ"

Plating Material
G: Full Gold Plated
T: Full Tin Plated
P: Gold Plated & Tinned Tail

⟨COMPONENT SIDE⟩
PCB LAYOUT



NO	DESCRIPTION	QTY
----	-------------	-----

UNLESS OTHERWISE SPECIFIED SURFACE FINISH ALL OVER TOLERANCES mm

METRIC

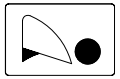
X. = ±0.38
.X = ±0.25
.XX = ±0.13

DRAW: Chubby
DATE: 03/19/02

CHECK: Kevin
APPROVE: Tony

TITLE: USB B Type Straight Female

MODEL CODE: U560B-04S15-XXXX



誠州電子有限公司
Sincere State Electronics Co., Ltd.