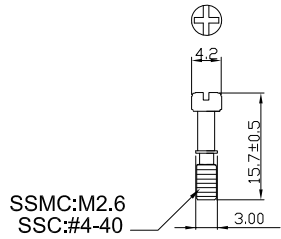


CUST. MODEL:	REF.
CUST. P/N:	DWG FILE:

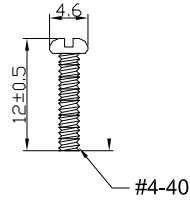
DESCRIPTION CONTROL			
REV.	DESC.	DATE	APP.

RoHS Compliance

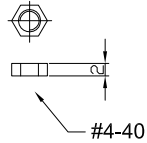
NOTE:
ZINE ALLOY NI PLATED
FOR OD=7.0mm CABLE



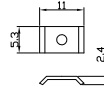
A
2Pcs



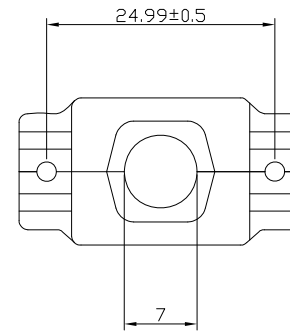
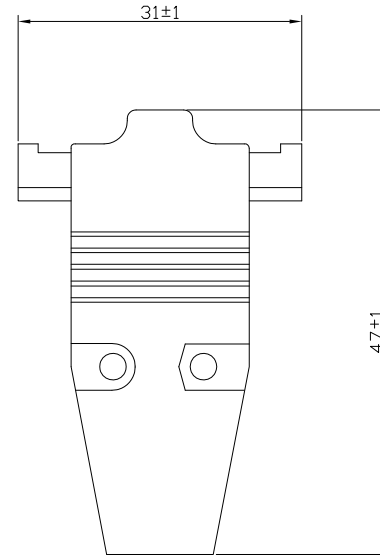
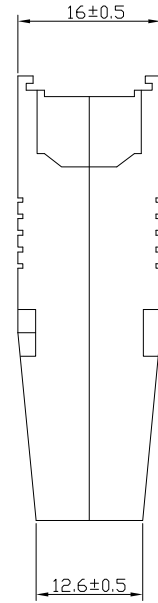
B
2Pcs



D
2Pcs



D
2Pcs



MPH02-09-XXXX

SSMC:M2.6
SSC:#4-40

UNLESS OTHERWISE SPECIFIED SURFACE FINISH ALL OVER TOLERANCES mm METRIC .X = ±0.3 .XX = ±0.2	DRAW: <i>CHUBBY</i>	DATE: 02/05/06	TITLE: D-SUB MATEL HOOD Type
	CHECK: KEVIN	APPROVE: <i>TONY</i>	MODEL CODE: MPH02-09-XXXX
			 誠州電子有限公司 <i>Sincere State Electronics Co.,Ltd.</i>

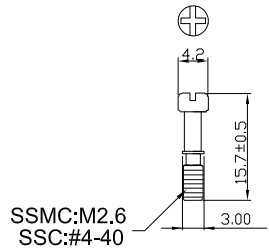
NO	DESCRIPTION	QTY
----	-------------	-----

CUST. MODEL:	REF.
CUST. P/N:	DWG FILE:

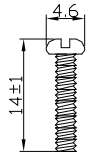
DESCRIPTION CONTROL			
REV.	DESC.	DATE	APP.

RoHS Compliance

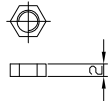
NOTE:
ZINE ALLOY NI PLATED
FOR OD=10.0mm CABLE



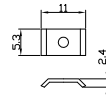
A
2Pcs



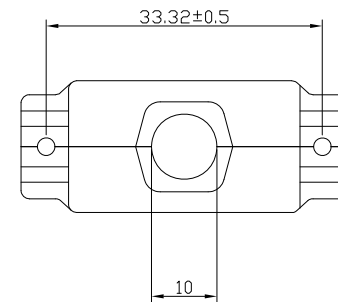
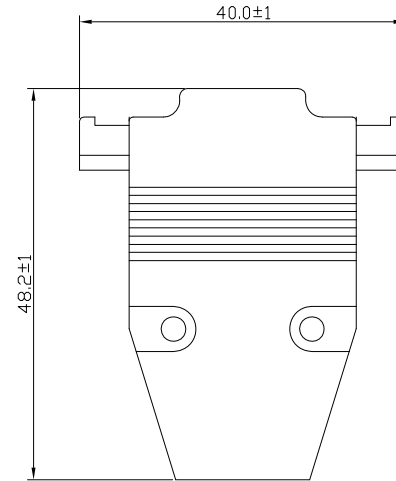
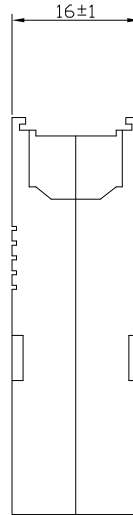
B
2Pcs



C
2Pcs



D
2Pcs



MPH02-15-XXXX

SSMC:M2.6
SSC:#4-40

UNLESS OTHERWISE SPECIFIED SURFACE FINISH ALL OVER TOLERANCES mm METRIC .X = ±0.3 .XX = ±0.2	DRAW: <i>CHUBBY</i>	DATE: 02/05/06	TITLE: D-SUB MATEL HOOD Type
	CHECK: KEVIN	APPROVE: <i>TONY</i>	MODEL CODE: MPH02-15-XXXX
			誠州電子有限公司 <i>Sincere State Electronics Co.,Ltd.</i>

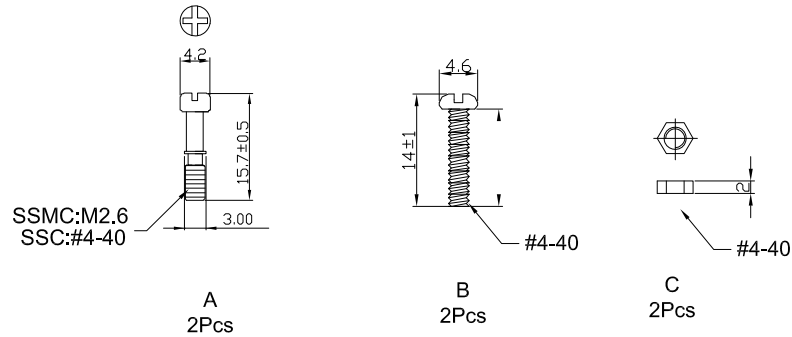
NO	DESCRIPTION	QTY

CUST. MODEL:	REF.
CUST. P/N:	DWG FILE:

DESCRIPTION CONTROL			
REV.	DESC.	DATE	APP.

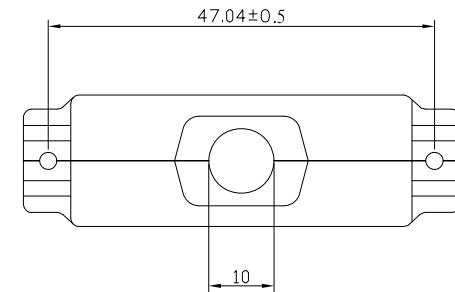
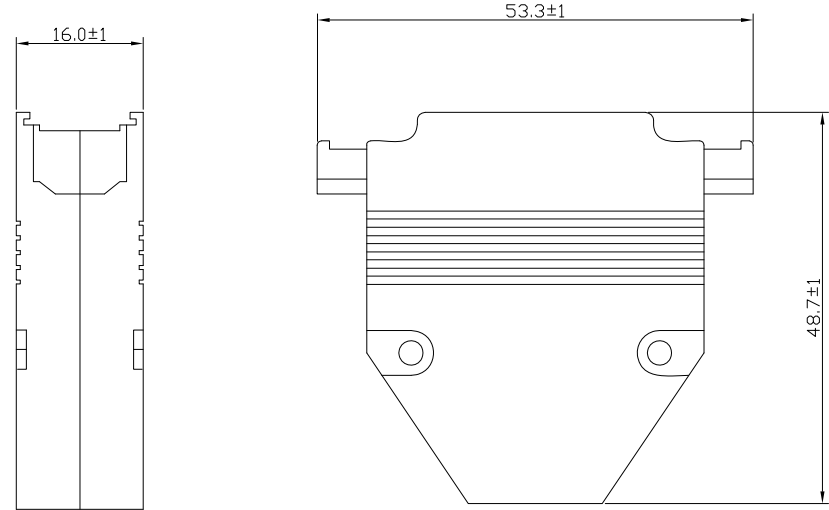
RoHS Compliance

NOTE:
ZINE ALLOY NI PLATED
FOR OD=10.0mm CABLE



MPH02-25-XXXX

SSMC:M2.6
SSC:#4-40



UNLESS OTHERWISE SPECIFIED SURFACE FINISH ALL OVER TOLERANCES mm METRIC X. = ±0.3 .X = ±0.2 .XX = ±0.1	DRAW:	DATE:	TITLE:
	<i>CHUBBY</i>	02/05/06	D-SUB MATEL HOOD Type
	CHECK:	APPROVE:	MODEL CODE:
	KEVIN	<i>TONY</i>	MPH02-25-XXXX
			誠州電子有限公司 <i>Sincere State Electronics Co.,Ltd.</i>

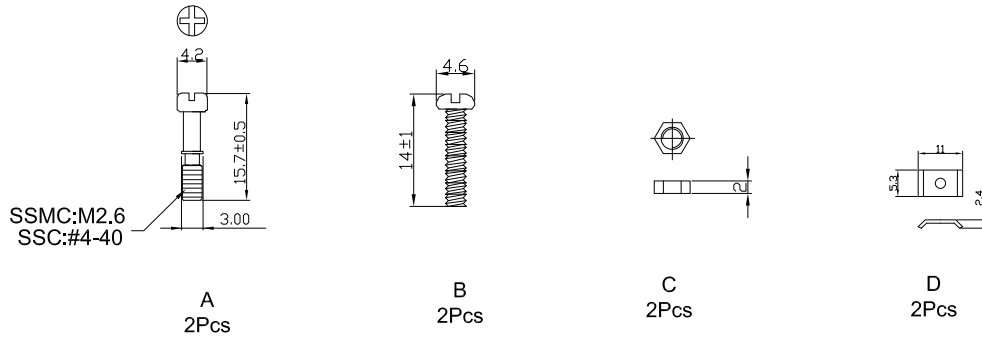
NO	DESCRIPTION	QTY
----	-------------	-----

CUST. MODEL:	REF.
CUST. P/N:	DWG FILE:

DESCRIPTION CONTROL			
REV.	DESC.	DATE	APP.

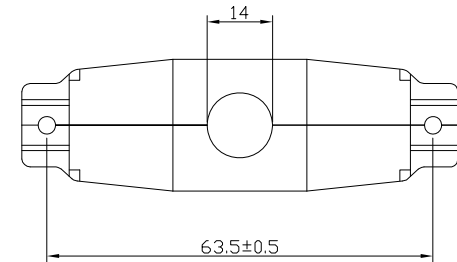
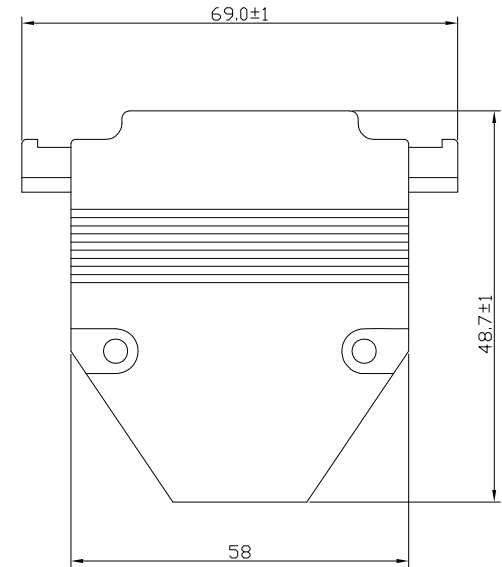
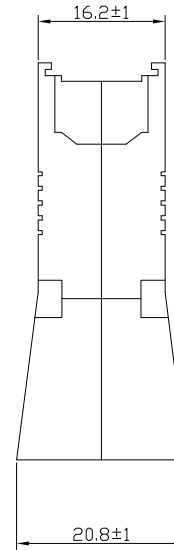
RoHS Compliance

NOTE:
ZINE ALLOY NI PLATED
FOR OD=14.0mm CABLE



MPH02-37-XXXX

SSMC:M2.6
SSC:#4-40



UNLESS OTHERWISE SPECIFIED SURFACE FINISH ALL OVER TOLERANCES mm METRIC .X = ±0.3 .XX = ±0.2	DRAW: <i>CHUBBY</i>	DATE: 02/05/06	TITLE: D-SUB MATEL HOOD Type
	CHECK: KEVIN	APPROVE: <i>TONY</i>	MODEL CODE: MPH02-37-XXXX
			誠州電子有限公司 <i>Sincere State Electronics Co.,Ltd.</i>

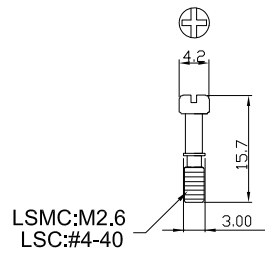
NO	DESCRIPTION	QTY

CUST. MODEL:	REF.
CUST. P/N:	DWG FILE:

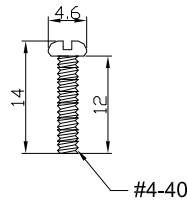
DESCRIPTION CONTROL			
REV.	DESC.	DATE	APP.

RoHS Compliance

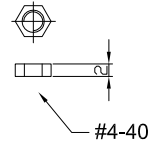
NOTE:
ZINE ALLOY NI PLATED
FOR OD=14.5mm CABLE



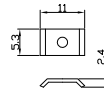
A
2Pcs



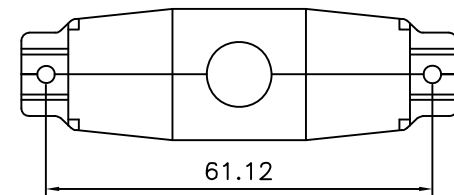
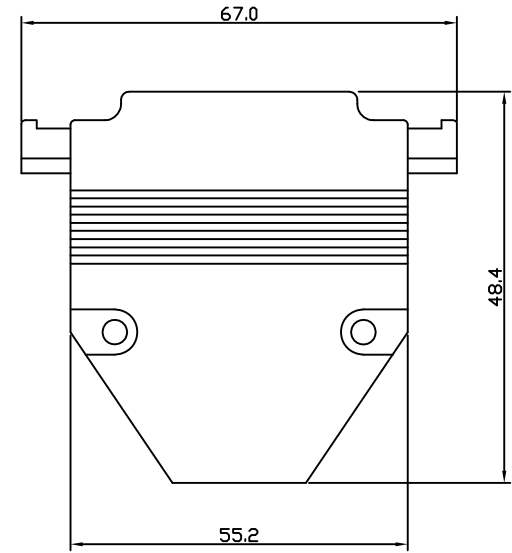
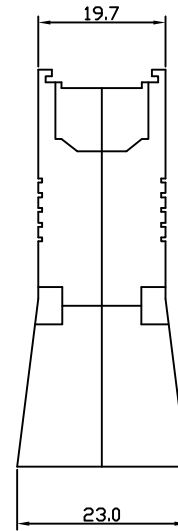
C
2Pcs



D
2Pcs



D
2Pcs



MPH02-50-XXXX

LSMC:M2.6
LSC:#4-40

UNLESS OTHERWISE SPECIFIED SURFACE FINISH ALL OVER TOLERANCES mm METRIC X. = ±0.3 .X = ±0.2 .XX = ±0.1	DRAW: <i>CHUBBY</i>	DATE: 02/05/06	TITLE: D-SUB MATEL HOOD R/A Type
	CHECK: KEVIN	APPROVE: <i>TONY</i>	MODEL CODE: MPH02-50-XXXX

NO	DESCRIPTION	QTY