

CUST. MODEL:	REF:
CUST. P/N:	DWG FILE:

DESCRIPTION CONTROL			
REV.	DESC.	DATE.	APP.
1.0			

### Material & Finish

**SHELL:**

Steel  
Zinc plated, Tin plated  
or Nickel plated steel

**PIN CONTACT:**

Phosphor bronze or Brass  
Gold plated

**INSULATOR:**

PBT & Glass-fibre reinforced  
UL 94V-0

**NUMBER OF CONTACT:**

14,24,36,50

**CURRENT RATING:**

5 Amp

**DIELECTRIC STRENGTH:**

1000V for one minute

**INSULATOR RESISTANCE:**

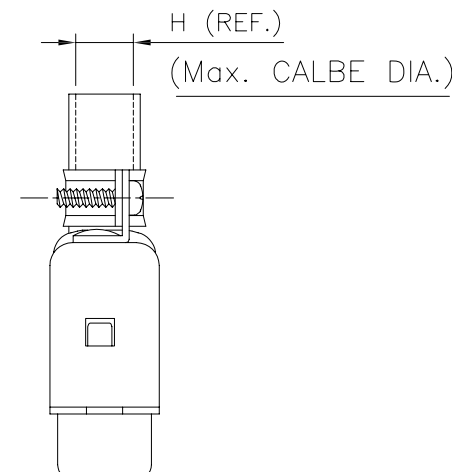
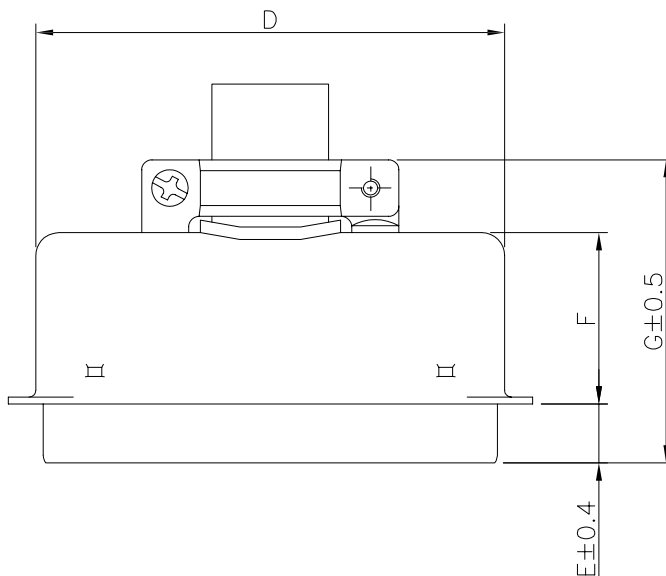
1000MΩ Min. (at 500V DC)

**CONTACT RESISTANCE:**

25mΩ Max.

**TEMPERATURE:**

-55° C to +105° C



DS118- □ □ □ □ □ □

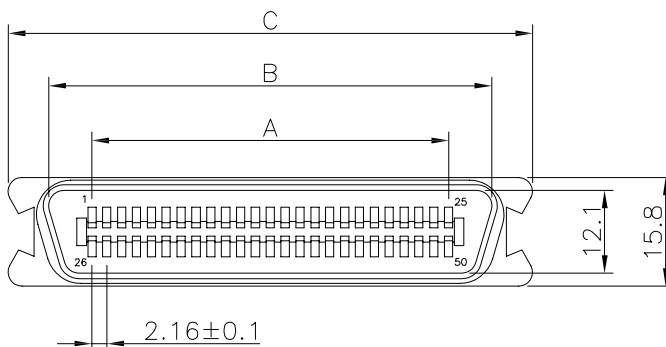
No. OF PINS:  
14,24,36,50

Contact type:  
2 Male

Contact:  
1: Gold flash and Tinned Tail  
2: 15u" Gold on contact  
3: 30u" Gold on contact  
4: Selective Gold (Full Gold)

Position of clinch nut:  
0: 3.05mm clear hole  
1: Riveted front shell  
2: Riveted rear shell  
3: Riveted boardlock

Flange Mounting Option:  
0: 3.05mm clear hole  
1: #4-40 threaded hole  
2: M3 threaded hole  
3: M2.6 threaded hole  
4: None (for shell with ball ear)



Positions	A	B	C	D	E	F	G	H
14	12.96	25.6	37.85	29.0	8.1	21.2	39.3	7.0
24	23.76	36.3	48.8	39.9	7.6	20.6	38.3	9.0
36	36.72	49.3	61.8	53.2	7.9	22.6	40.6	11.5
50	51.84	64.4	77.0	68.2	8.5	24.9	43.8	12.5

UNLESS OTHERWISE SPECIFIED SURFACE FINISH ALL OVER TOLERANCES mm

METRIC

X. = ±0.5  
.X = ±0.30  
.XX = ±0.25  
.XXX = ±0.15

DRAW:

BEN

DATE:

07/10/06

TITLE:

CENTRONIC SOLDER TYPE MALE WITH MATEL COVER

MODEL CODE:

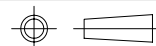
DS118-XX2XXX

CHECK:

KEVIN

APPROVE:

TONY



誠州電子有限公司

Sincere State Electronics Co.,Ltd.

NO.	DESCRIPTION	QTY
-----	-------------	-----