

CUST. MODEL:	REF:
CUST. P/N:	DWG FILE:

DESCRIPTION CONTROL			
REV.	DESC.	DATE.	APP.
1.0			

Material & Finish

SHELL:

Steel
Cu plated over steel 120u"
and Ni plated over Cu 50u"

PIN CONTACT:

Phosphor bronze or Brass
Gold plated

INSULATOR:

PBT & Glass-fibre reinforced
UL-94-V0

NUMBER OF CONTACT:

14,24,36,50

CURRENT RATING:

5 Amp

DIELECTRIC STRENGTH:

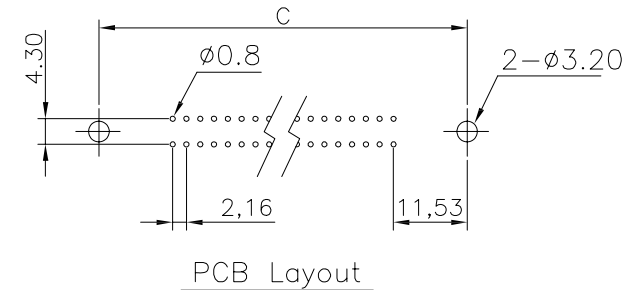
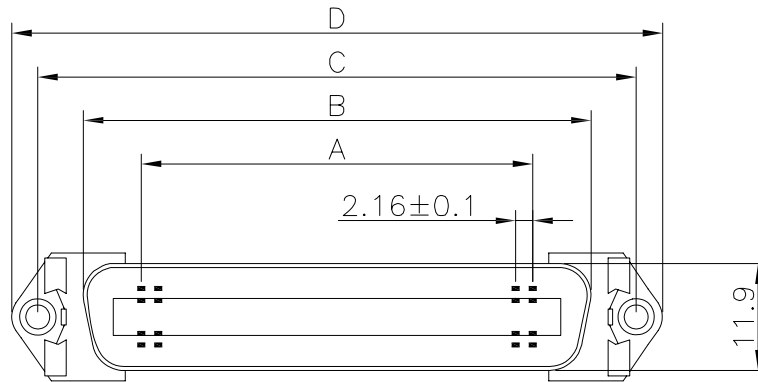
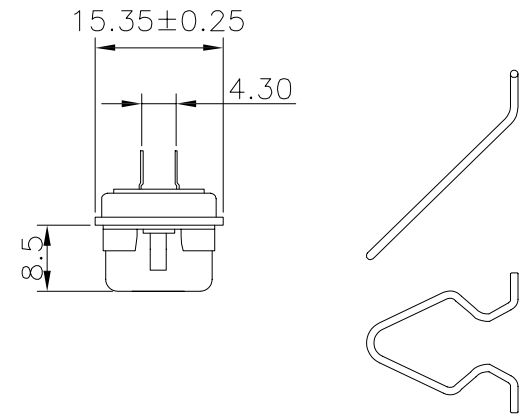
1000V for one minute

INSULATOR RESISTANCE:

1000MΩ Min. (at 500V DC)

TEMPERATURE:

-55° C to +105° C



DS111- □ □ □ □ □

No. of PINS:
14,24,36,50

Contact type:
1:Female

Contact:
1:Gold flash and Tinned Tail
2:15u' Gold on contact
3:30u' Gold on contact
4:Selective Gold (full Gold)

Position of clinch nut:
0:3.05mm clear hole
1:Riveted front shell
2:Riveted rear shell
3:Riveted boardlock

Flange Mounting Option:
0: 3.05mm clear hole
1: #4-40 threaded hole
2: M3 threaded hole
3: M2.6 threaded hole
4: None(for shell with bail ear)

Positions	A	B	C	D	L
14	12.96	25.2	36.0	44.1	4.9
24	23.76	36.0	46.8	54.9	4.9
36	36.72	48.9	59.7	67.9	4.9
50	51.84	64.1	74.9	83.0	4.9

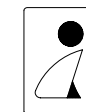
UNLESS OTHERWISE SPECIFIED SURFACE FINISH ALL OVER TOLERANCES mm

METRIC

X. = ±0.5
.X = ±0.30
.XX = ±0.25
.XXX = ±0.15

DRAW:	DATE:
BEN	05/17/05
CHECK:	APPROVE:
KEVIN	TONY

TITLE:	CENTRONIC PCB DIP TYPE FEMALE SPRING LATCH
MODEL CODE:	DS111-XX1XXX



誠州電子有限公司

Sincere State Electronics Co.,Ltd.

NO.	DESCRIPTION	QTY
-----	-------------	-----