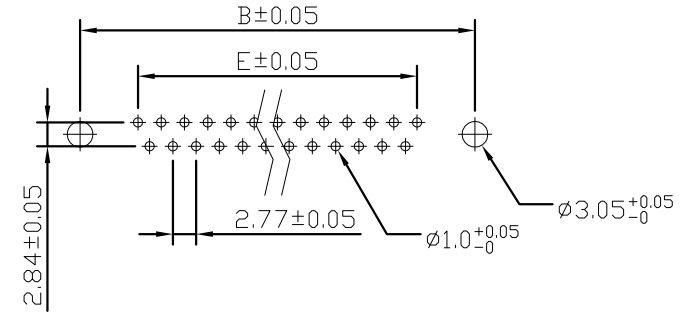
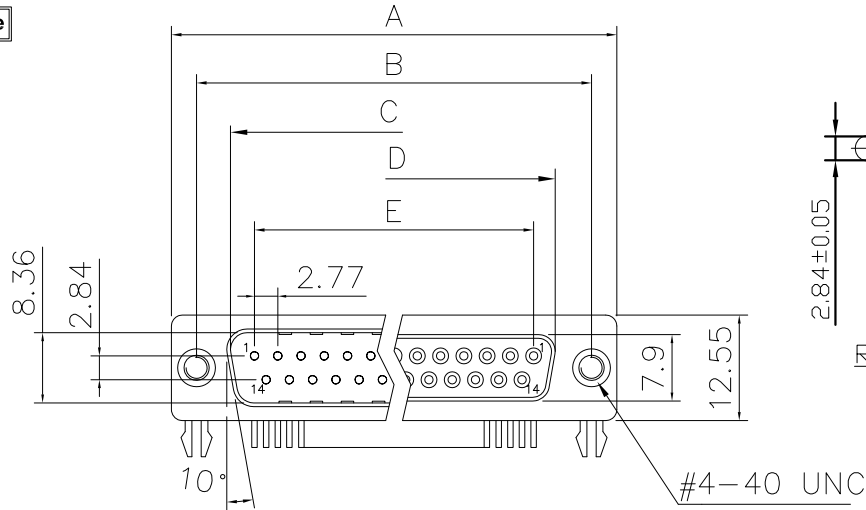


CUST. MODEL:	REF.
CUST. P/N	DWG FILE:

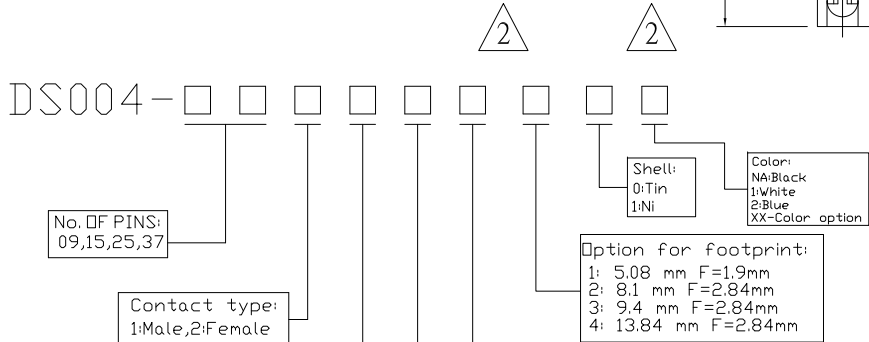
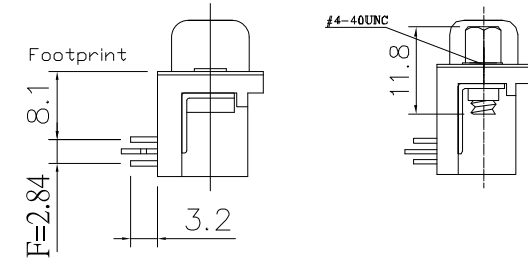
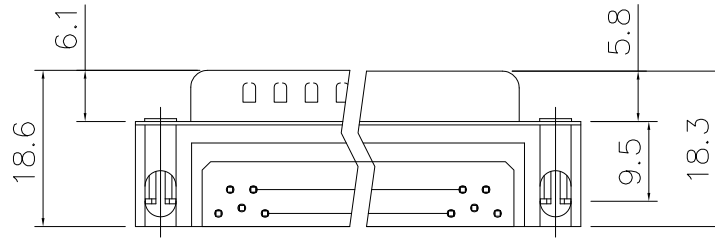
DESCRIPTION CONTROL			
REV.	DESC.	DATE	APP.
1	Release	01/17/07	TONY
2	Amend P/N Information	03/10/14	TONY

Current Rating:
 5 Amps
Voltage Rating:
 250V AC R.M.S.
Insulator resistance:
 1000 Megohms Min.
Dielectric withstanding:
 DC 1000V for 1 minute
Contact resistance:
 30miliohms Megohms Max.
Operating Temperature:
 -55 ~ +105 °C
Contact Material:
 Brass
Insulator Material:
 PBT(UL94V-0)

RoHS Compliance



RECOMMENDED PCB LAYOUT



Dimensions

Positions	A	B	C	D	E
9	30.81	24.99	16.33	16.92	11.08
15	39.20	33.30	24.66	25.25	19.39
25	53.05	47.04	38.96	38.38	33.24
37	69.32	63.50	54.84	55.42	49.86

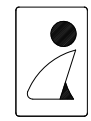
Flange Mounting Option:
 0: 3.05mm clear hole
 1: #4-40 threaded hole
 2: #4-40 threaded hole with #4-40 unc screwlock installed
 3: #4-40 threaded hole with #4-40 unc screwlock bulk-packed
 4: M3 threaded hole
 5: #4-40 threaded hole with M3 screwlock installed
 6: M2.6 threaded hole
 7: #4-40 threaded hole with M2.6 screwlock installed

UNLESS OTHERWISE SPECIFIED SURFACE FINISH ALL OVER TOLERANCES mm

METRIC
 .X = ±0.38
 .XX = ±0.25

DRAW: *Chubby*
 DATE: 01/17/07
 CHECK: *Kevin*
 APPROVE: *tony*

TITLE: D-Sub Right Angle Type
 MODEL CODE: DS004-XXXXXXXXXX



誠州電子有限公司
 Sincere State Electronics Co.,Ltd.

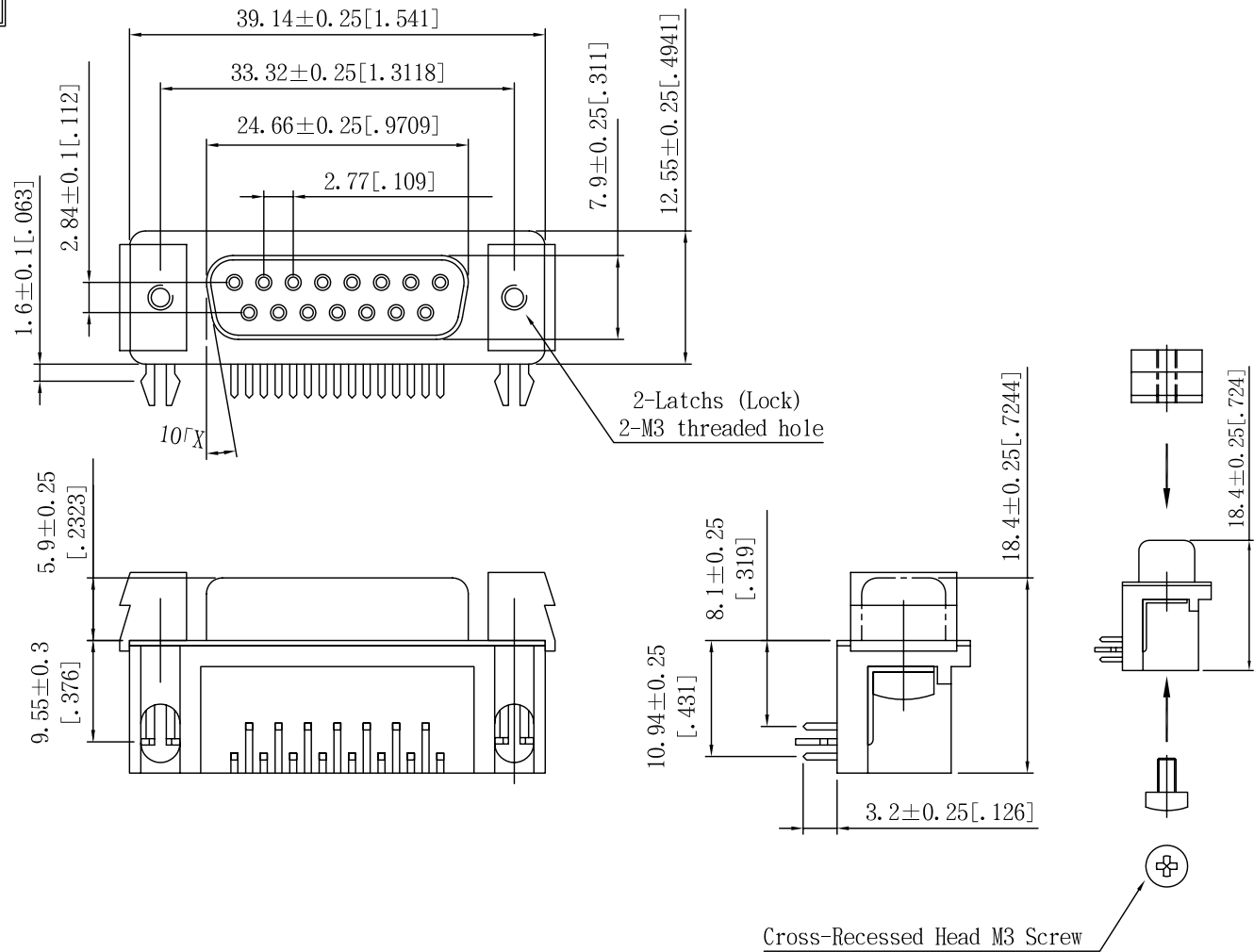
NO	DESCRIPTION	QTY

CUST. MODEL:	REF.
CUST. P/N	DWG FILE:

DESCRIPTION CONTROL			
REV.	DESC.	DATE	APP.

Current Rating:
5 Amps
Voltage Rating:
250V AC R.M.S.
Insulator resistance:
1000 Megohms Min.
Dielectric withstanding:
DC 1000V for 1 minute
Contact resistance:
30miliohms Megohms Max.
Operating Temperature:
-55 ~ +105 °C
Contact Material:
Brass
Insulator Material:
PBT + 30% Glass Fiber(UL94V-0)
Contact:
plated with 30u" thick Gold in localized area and 100u" Min.thick Tin-lead in solder area over 50u"Min.thick Nickel underplate.

RoHS Compliance



DS004-L

No. OF PINS:
09,15,25,37

Contact type:
1:Male,2:Female

Contact:
1:Gold flash and Tinned Tail
2:15u" Gold on contact
3:30u" Gold on contact
4:Selective Gold (full Gold)

Position of clinch nut:
0:3.05mm clear hole
1:Riveted front shell
2:Riveted rear shell
3:Riveted boardlock

Flange Mounting Option:
0: 3.05mm clear hole
1: #4-40 threaded hole
2: #4-40 threaded hole with #4-40 unc screwlock installed
3: #4-40 threaded hole with #4-40 unc screwlock bulk-packed
4: M3 threaded hole
5: M3 threaded hole with M3 screwlock installed
6: M2.6 threaded hole
7: M2.6 threaded hole with M2.6 screwlock installed

UNLESS OTHERWISE SPECIFIED SURFACE FINISH ALL OVER TOLERANCES mm

METRIC

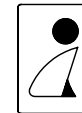
.X = ± 0.38
.XX = ± 0.25

DRAW: CHUBBY
DATE: 05/27/05

CHECK: KEVIN
APPROVE: TONY

TITLE: D-Sub 15P Female Right Angle Type (With Latch)

MODEL CODE: DS004-L152XXX



誠州電子有限公司
Sincere State Electronics Co.,Ltd.

NO	DESCRIPTION	QTY