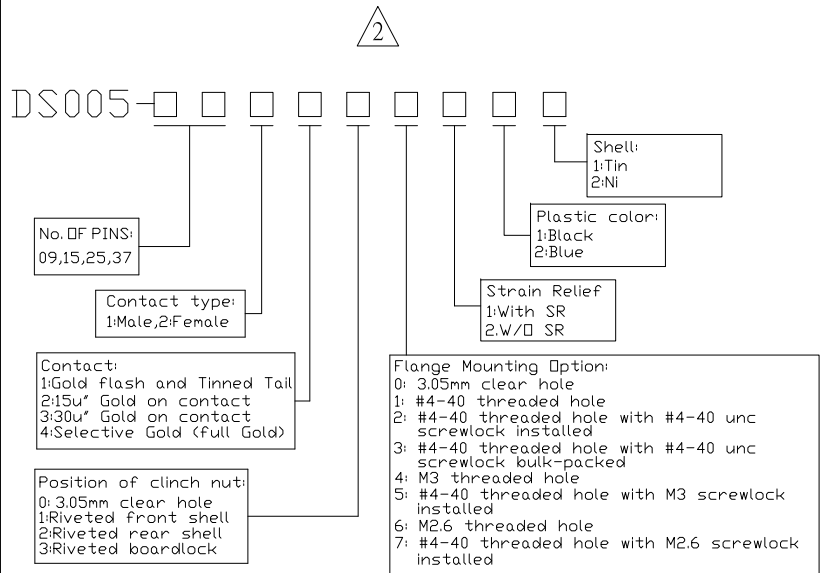
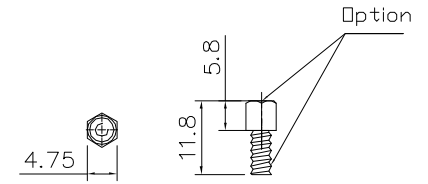
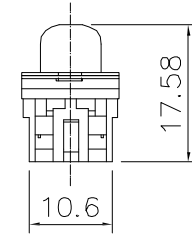
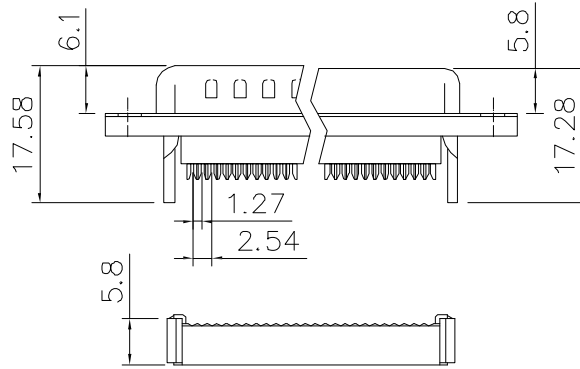
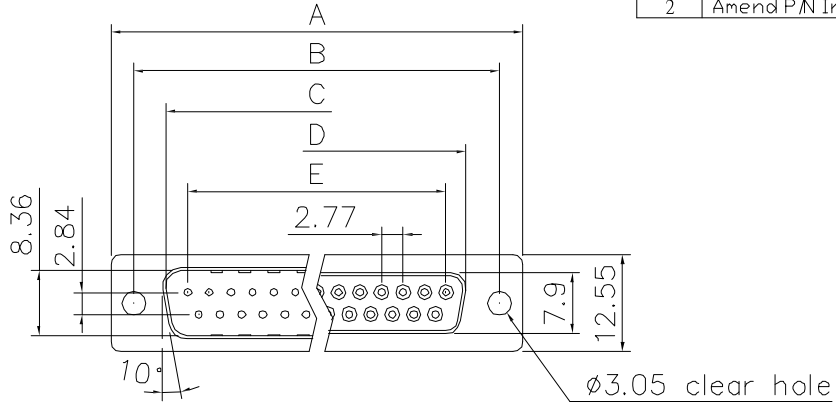


CUST. MODEL:	REF.
CUST. P/N:	DWG FILE:

DESCRIPTION CONTROL			
REV.	DESC.	DATE	APP.
1	Release	05/21/03	TONY
2	Amend P/N Information	03/10/14	TONY

Current Rating:  
3.0 Amps  
Voltage Rating:  
250V AC R.M.S.  
Insulator resistance:  
1000 Megohms Min.  
Dielectric withstanding:  
DC 1000V for 1 minute  
Contact resistance:  
20miliohms Megohms Max.  
Operating Temperature:  
-55 ~ +105 °C  
Contact Material:  
Brass  
Insulator Material:  
PBT (UL94V-0)



Insulator Support

Positions	A	B	C	D	E
9	30.81	24.99	16.92	16.33	11.08
15	39.20	33.30	25.25	24.66	19.39
25	53.05	47.04	38.96	38.38	33.24
37	69.40	63.50	55.42	54.84	49.86

UNLESS OTHERWISE SPECIFIED SURFACE FINISH ALL OVER TOLERANCES mm	DRAW:	DATE:
	BEN	05/21/03
METRIC X. =±0.2 .X =±0.1 .XX =±0.05 .XXX=±0.03	CHECK:	APPROVE:
	KEVIN	TONY

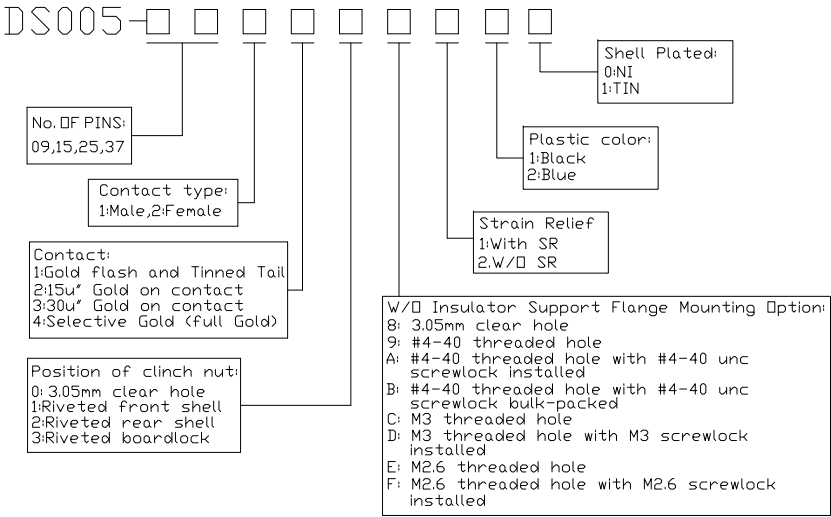
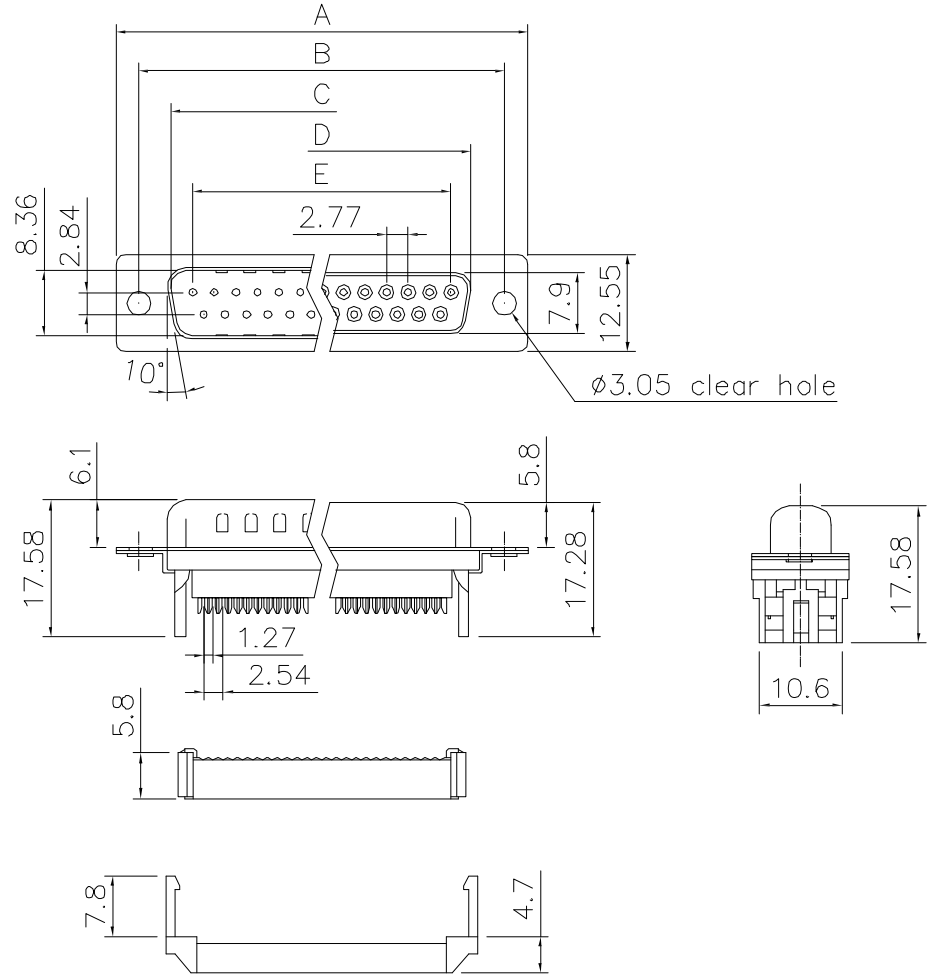
TITLE:	<b>D-SUB IDC TYPE</b>
MODEL CODE:	DS005-XXXXXXXXXX

誠州電子有限公司  
Sincere State Electronics Co., Ltd.

CUST. MODEL:	REF.
CUST. P/N:	DWG FILE:

DESCRIPTION CONTROL			
REV.	DESC.	DATE	APP.
1	Release	03/10/14	TONY

Current Rating:  
 3.0 Amps  
 Voltage Rating:  
 250V AC R.M.S.  
 Insulator resistance:  
 1000 Megohms Min.  
 Dielectric withstanding:  
 DC 1000V for 1 minute  
 Contact resistance:  
 20miliohms Megohms Max.  
 Operating Temperature:  
 -55 ~ +105 °C  
 Contact Material:  
 Brass  
 Insulator Material:  
 PBT (UL94V-0)



Without Insulator Support

Positions	A	B	C	D	E
9	30.81	24.99	16.92	16.33	11.08
15	39.20	33.30	25.25	24.66	19.39
25	53.05	47.04	38.96	38.38	33.24
37	69.40	63.50	55.42	54.84	49.86

UNLESS OTHERWISE SPECIFIED SURFACE FINISH ALL OVER TOLERANCES mm  
 METRIC  
 X. =±0.2  
 .X =±0.1  
 .XX =±0.05  
 .XXX=±0.03

DRAW: BEN  
 DATE: 05/21/03  
 CHECK: KEVIN  
 APPROVE: TONY

TITLE: D-SUB IDC TYPE W/O INSULATOR SUPPORT  
 MODEL CODE: DS005-09X108111

誠州電子有限公司  
 Sincere State Electronics Co., Ltd.