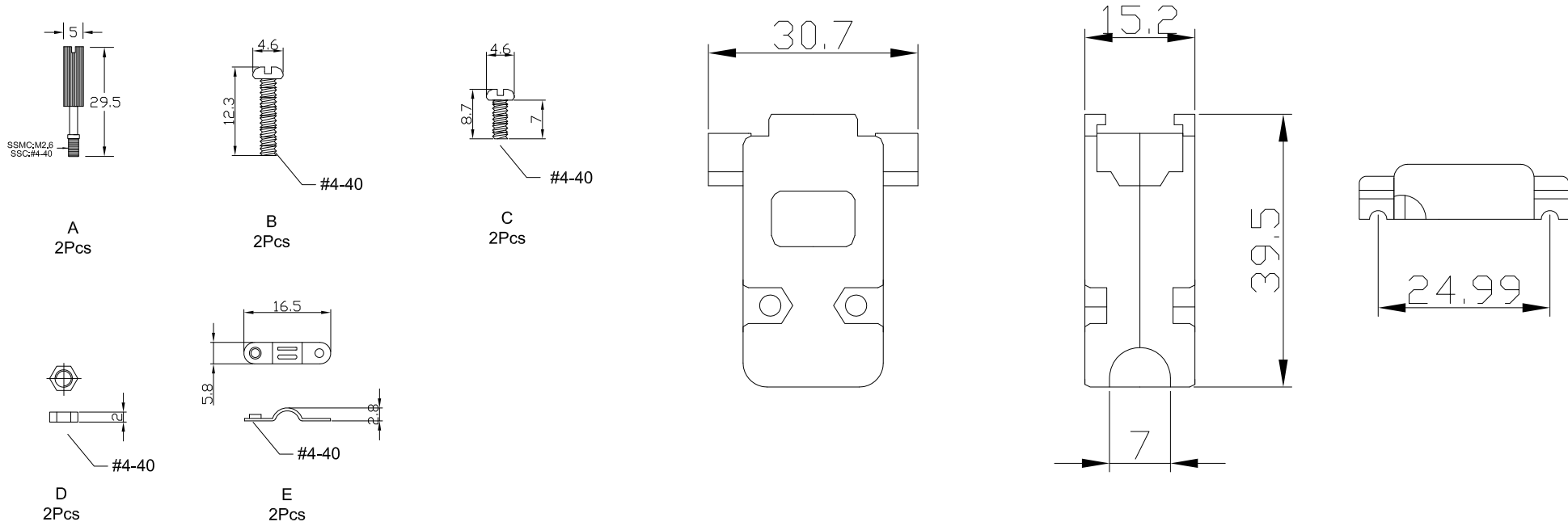


CUST. MODEL:	REF.
CUST. P/N:	DWG FILE:

DESCRIPTION CONTROL			
REV.	DESC.	DATE	APP.
1.0	RELEASE	08/15/10	Tony

RoHS Compliance

NOTE:
INSULATOR ABS UL94V-0
METAL:STEEL
FOR OD=7.0mm CABLE



PPH45-09-XXXX

SSMC:M2.6
SSC:#4-40

UNLESS OTHERWISE SPECIFIED SURFACE FINISH ALL OVER TOLERANCES mm METRIC .X = ±0.3 .XX = ±0.2	DRAW: <i>CHUBBY</i>	DATE: 08/15/10	TITLE: D-SUB PLASTIC HOOD Lock Up 45 度 Type
	CHECK: KEVIN	APPROVE: <i>TONY</i>	MODEL CODE: PPH45-09-XXXX
			 誠州電子有限公司 <i>Sincere State Electronics Co.,Ltd.</i>

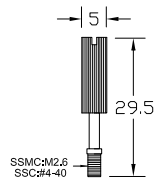
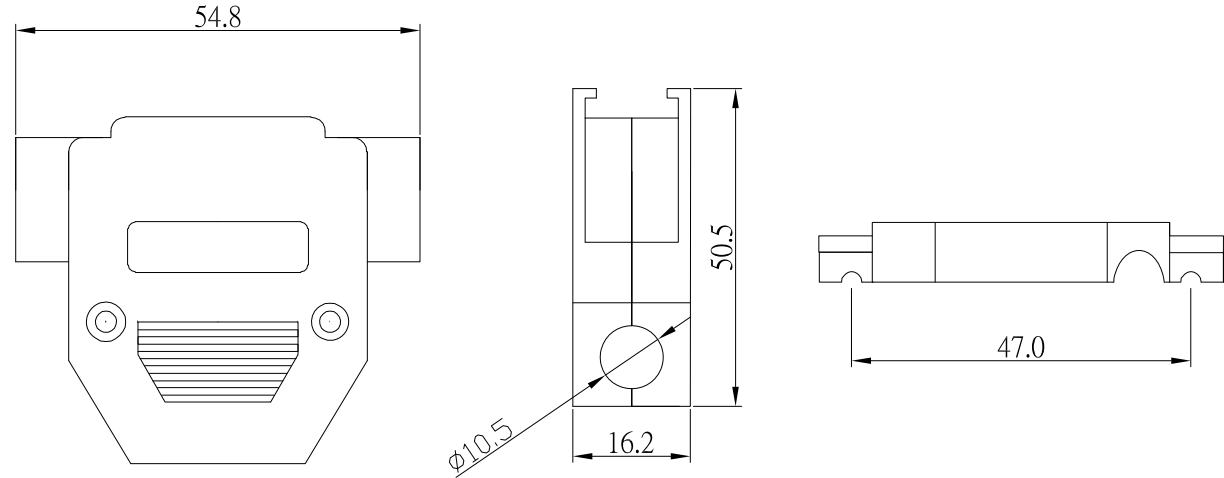
NO	DESCRIPTION	QTY
----	-------------	-----

CUST. MODEL:	REF.
CUST. P/N:	DWG FILE:

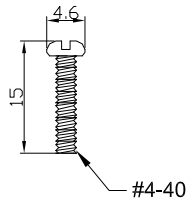
DESCRIPTION CONTROL			
REV.	DESC.	DATE	APP.
1.0	RELEASE	03/09/11	Tony

RoHS Compliance

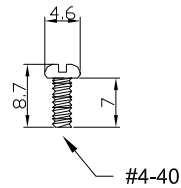
NOTE:
 INSULATOR ABS UL94V-0
 METAL:STEEL
 FOT OD=10.5MM CABLE MAX



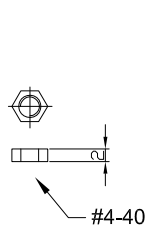
A
2Pcs



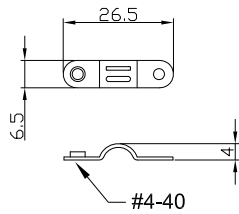
B
2Pcs



C
2Pcs



D
2Pcs



E
2Pcs

PPH45-25-XXXX

SSMC:M2.6
SSC:#4-40

UNLESS OTHERWISE SPECIFIED SURFACE FINISH ALL OVER TOLERANCES mm METRIC .X = ±0.3 .XX = ±0.2	DRAW: <i>CHUBBY</i>	DATE: 03/09/11	TITLE: D-SUB PLASTIC HOOD Lock Up 45度 Type
	CHECK: KEVIN	APPROVE: <i>TONY</i>	MODEL CODE: PPH45-25-XXXX
			 誠州電子有限公司 <i>Sincere State Electronics Co.,Ltd.</i>

NO	DESCRIPTION	QTY
----	-------------	-----