

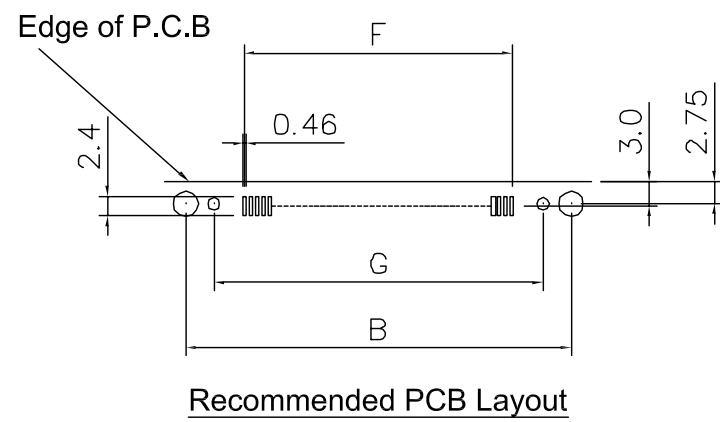
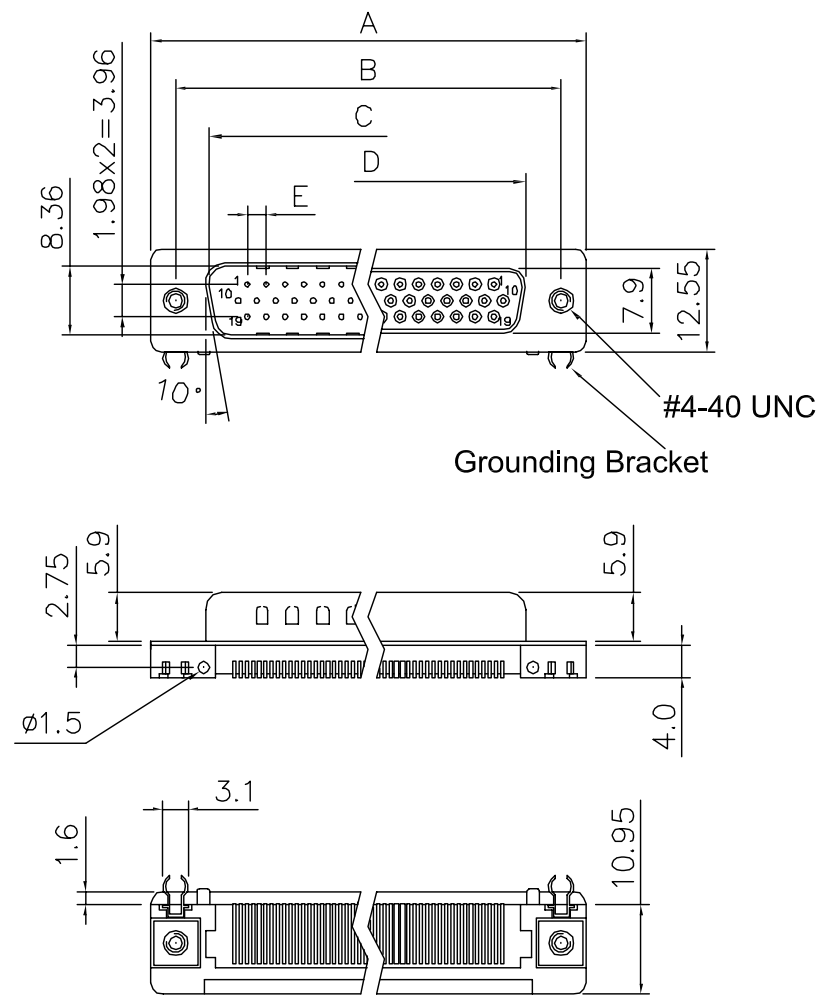
CUST. MODEL:	REF.
CUST. P/N	DWG FILE:

DESCRIPTION CONTROL			
REV.	DESC.	DATE	APP.
1.0			

**RoHS COMPLIANT**

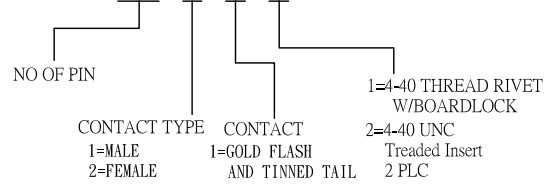
**Material & Finish**

- Shell: Steel 100u" Tin Over 50u" min Copper
- Clinch Nut: Brass, 100u"min Tin Plated
- Boardlock: Brass, 100u"min Tin Plated
- Contact: Brass or Phosphor bronze
- Insulator:
- Glass-Filled Thermoplastic PBT UL94V-0 Rates
- Current Rating: 5 Amp
- Volatge Rating: 250 VAC/rms 60Hz
- Dielectric Withstanding Voltage: AC 1000V Min.(for one minute)
- Insulator Resistance: 1000MΩ Min.(at 500V DC)
- Contact Resistance: 30mΩ Max. mated



**HOW TO ORDER**

DS018- XX X 1 X



**Dimensions**

Positions	A	B	C	D	E	F	G
15	30.81	24.99	16.92	16.33	2.29	10.64	17.98
26	39.14	33.32	25.50	24.66	2.29	19.00	32.63
44	53.04	47.04	38.96	38.38	2.29	32.68	40.14
62	69.32	63.50	55.42	54.84	2.41	46.36	62.81

UNLESS OTHERWISE SPECIFIED SURFACE FINISH ALL OVER TOLERANCES mm	DRAW:	DATE:	TITLE:
	Chubby	05/25/03	D-Sub H.D Right Angle SMT
	CHECK:	APPROVE:	MODEL CODE:
METRIC	Kevin	TONY	DS018-XXXXX
.X = ±0.3 .X = ±0.25 .XX = ±0.15 .XXX = ±0.05			<p><b>誠州電子有限公司</b> Sincere State Electronics Co.,Ltd.</p>

NO	DESCRIPTION	QTY
----	-------------	-----