

CUST. MODEL:	REF:
CUST. P/N:	DWG FILE:

DESCRIPTION CONTROL			
REV.	DESC.	DATE.	APP.
1.0			

Material & Finish

SHELL:

Steel
Zinc plated, Tin plated
or Nickel plated steel

PIN CONTACT:

Phosphor bronze or Brass
Gold plated

INSULATOR:

PBT & Glass-fibre reinforced
UL 94V-0

NUMBER OF CONTACT:

14,24,36,50

CURRENT RATING:

5 Amp

DIELECTRIC STRENGTH:

1000V for one minute

INSULATOR RESISTANCE:

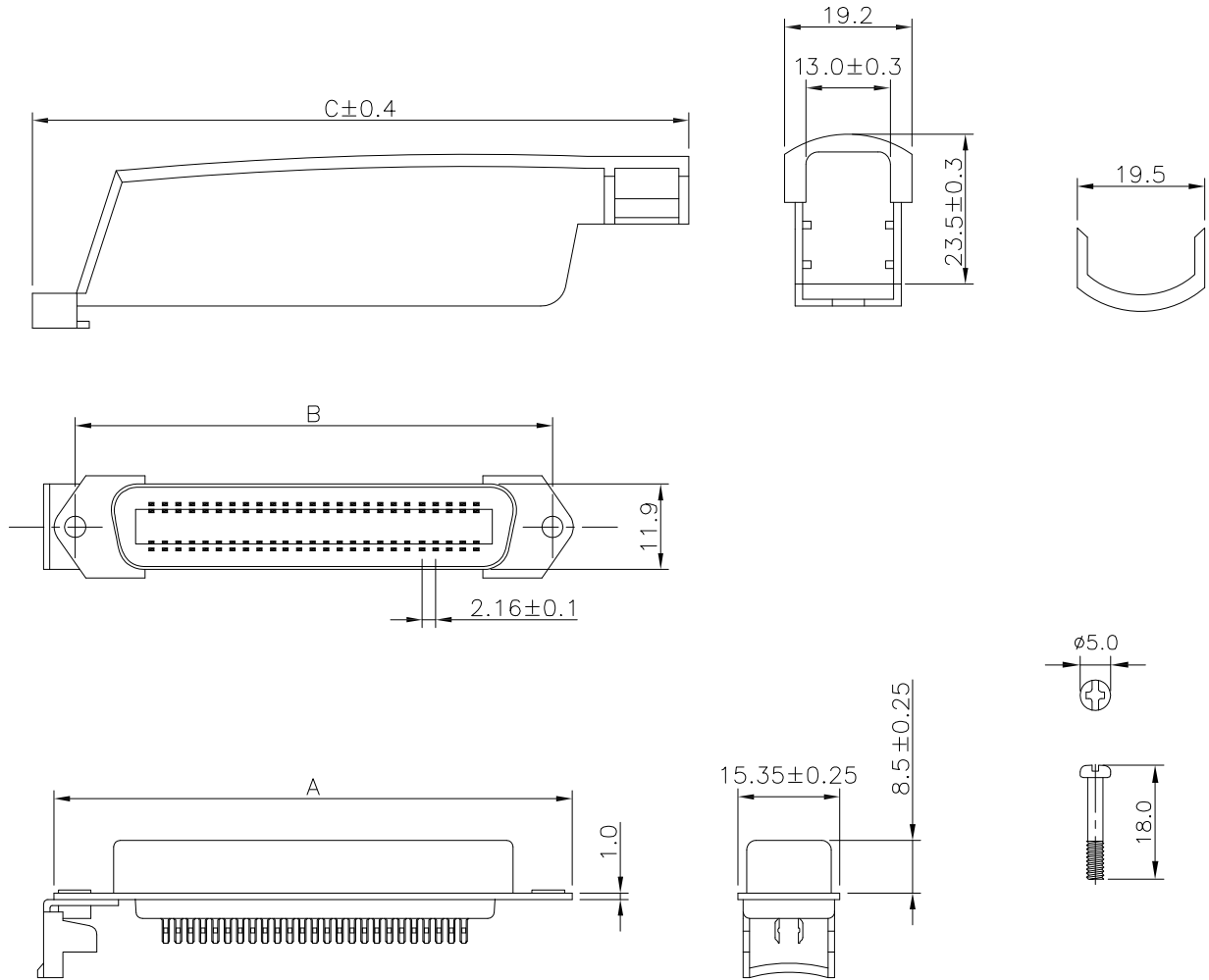
1000MΩ Min. (at 500V DC)

CONTACT RESISTANCE:

25mΩ Max.

TEMPERATURE:

-55° C to +105° C



DS008-□□□□ 1 1

No. of PINS:
36,50

Contact type:
2:Female

Contact:
1:Gold flash and Tinned Tail
2:15u" Gold on contact
3:30u" Gold on contact
4:Selective Gold (full Gold)

Cover Type
0:Matel
1:Plastic

Dimensinal

Circuits	A	B	C
36	67.7mm	59.7mm	90.1mm
50	82.8mm	74.9mm	103.7mm

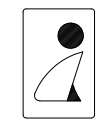
UNLESS OTHERWISE SPECIFIED SURFACE FINISH ALL OVER TOLERANCES mm

METRIC
.X = ±0.5
.XX = ±0.30
.XX = ±0.25
.XXX = ±0.15

DRAW:	DATE:
BEN	06/12/05
CHECK:	APPROVE:
KEVIN	TONY

TITLE: CENTRONIC SOLDER R/A FEMALE TYPE WITH PLASTIC COVER

MODEL CODE: DS008-XX2X11



誠州電子有限公司
Sincere State Electronics Co.,Ltd.

NO.	DESCRIPTION	QTY
-----	-------------	-----

CUST. MODEL:	REF:
CUST. P/N:	DWG FILE:

DESCRIPTION CONTROL			
REV.	DESC.	DATE.	APP.
1.0			

Material & Finish

SHELL:

Steel
Zinc plated, Tin plated
or Nickel plated steel

PIN CONTACT:

Phosphor bronze or Brass
Gold plated

INSULATOR:

PBT & Glass-fibre reinforced
UL 94V-0

NUMBER OF CONTACT:

36,50

CURRENT RATING:

5 Amp

DIELECTRIC STRENGTH:

1000V for one minute

INSULATOR RESISTANCE:

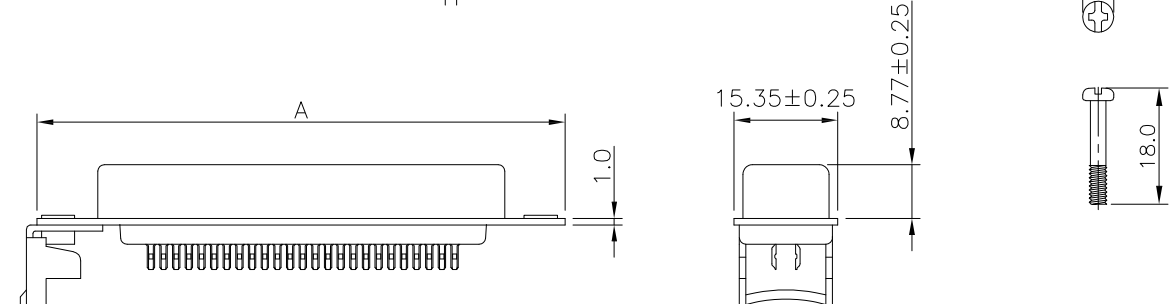
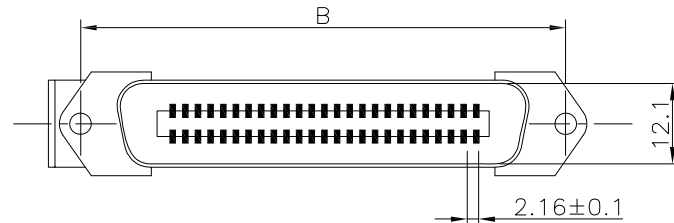
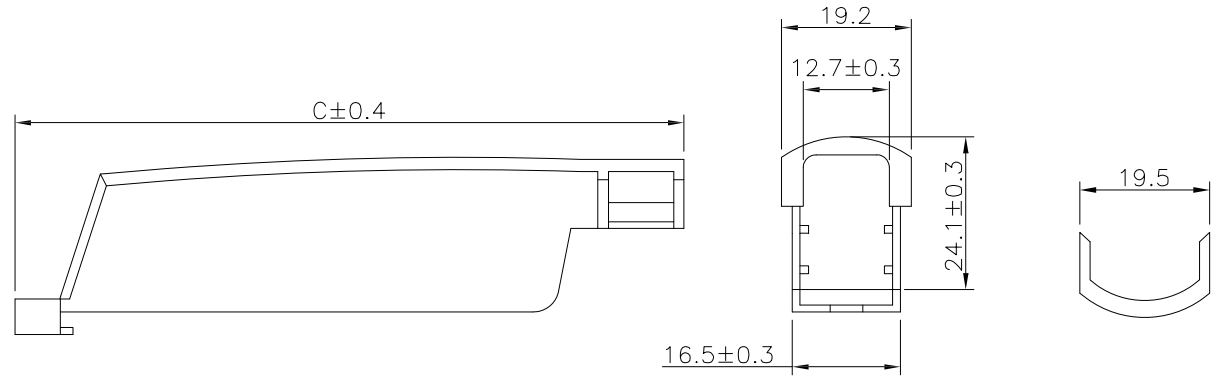
1000MΩ Min. (at 500V DC)

CONTACT RESISTANCE:

25mΩ Max.

TEMPERATURE:

-55° C to +105° C



DS008 - □ □ □ □ 1 1

No. OF PINS:
36,50

Contact type:
1:Male

Contact:
1:Gold flash and Tinned Tail
2:15u" Gold on contact
3:30u" Gold on contact
4:Selective Gold (full Gold)

Cover Type
0:Matel
1:Plastic

Dimensinal

Circuits	A	B	C
36	67.7mm	59.7mm	90.1mm
50	82.8mm	74.9mm	103.7mm

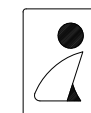
UNLESS OTHERWISE SPECIFIED SURFACE FINISH ALL OVER TOLERANCES mm

METRIC
X. = ±0.5
.X = ±0.30
.XX = ±0.25
.XXX = ±0.15

DRAW: BEN	DATE: 06/12/05
CHECK: KEVIN	APPROVE: TONY

TITLE: CENTRONIC SOLDER R/A MALE TYPE WITH PLASTIC COVER

MODEL CODE: DS008-XX1X11



誠州電子有限公司
Sincere State Electronics Co.,Ltd.

NO.	DESCRIPTION	QTY
-----	-------------	-----