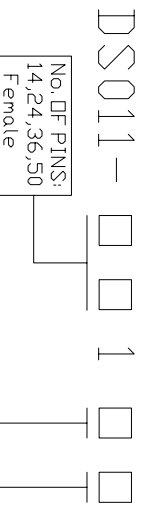
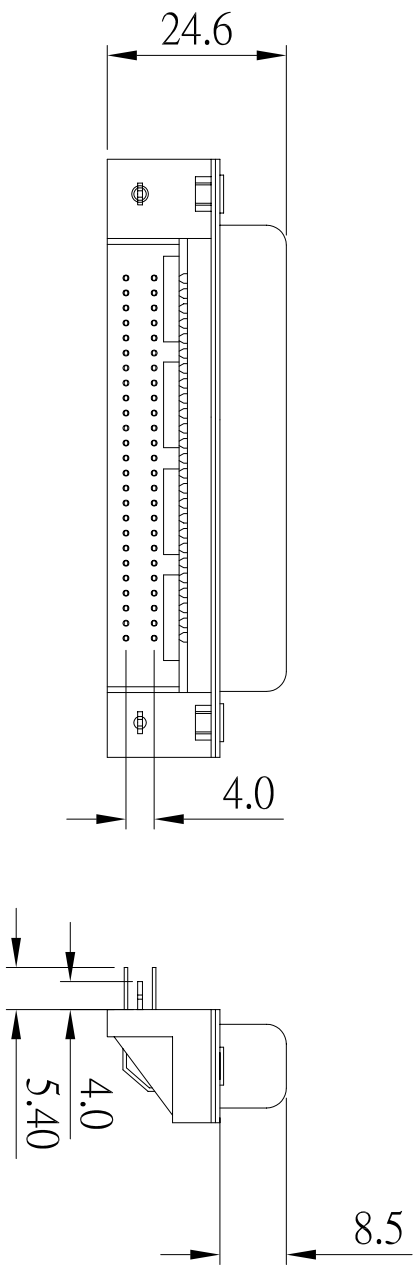
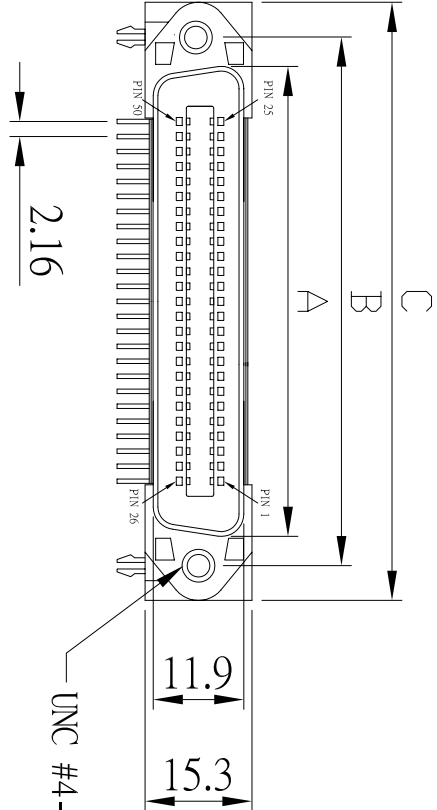


CUST. MODEL:	REF.
CUST. P/N	DWG FILE:

DESCRIPTION CONTROL		
REV.	DESC.	DATE
		APP.

RoHS Compliance

Current Rating:
5 Amps
Voltage Rating:
250V AC R.M.S.
Insulator resistance:
1000 Megohms Min.
Dielectric withstanding:
DC 1000V for 1 minute
Contact resistance:
30miliohms Megohms Max.
Operating Temperature:
-55 ~ +105 °C
Contact Material:
Brass
Insulator Material:
PBT(UL94V-0)



Contact:
1:Gold Flash and Tinned Tail
2:15u" Gold on contact
3:30u" Gold on contact
4:Selective Gold (full Gold)

Assembly Type:
0:Grounding
1:Hook<<Boardlock>>
2:W/D rear cover

Dimensions

Positions	A	B	C
14	25.20	36.00	43.90
24	36.00	46.80	54.70
36	48.90	59.70	67.70
50	64.10	74.90	82.80

UNLESS OTHERWISE SPECIFIED SURFACE FINISH ALL OVER TOLERANCES mm

METRIC

.X = ±0.38
.XX = ±0.25

DRAW: *Shubby*

DATE: 01/10/07

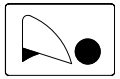
CHECK: KEVIN

APPROVE: *TWY*



TITLE: D-Sub Centronic Female Right Angle Type

MODEL CODE: DS011-XXX1XX



誠州電子有限公司
Sincere State Electronics Co., Ltd.

NO	DESCRIPTION	QTY
----	-------------	-----