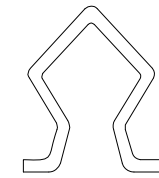
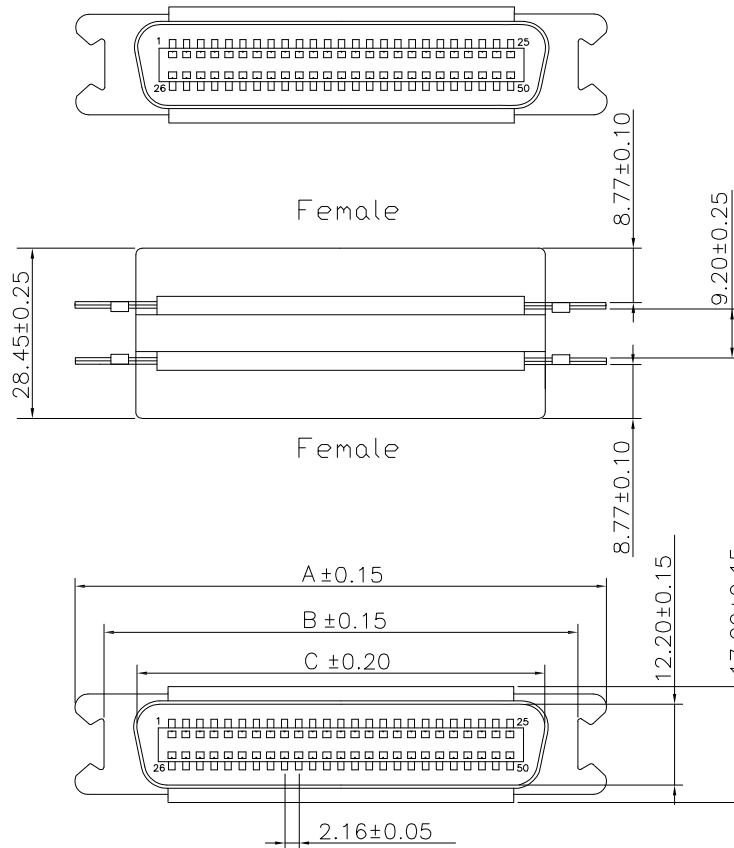


CUST. MODEL:	REF:
CUST. P/N:	DWG FILE:

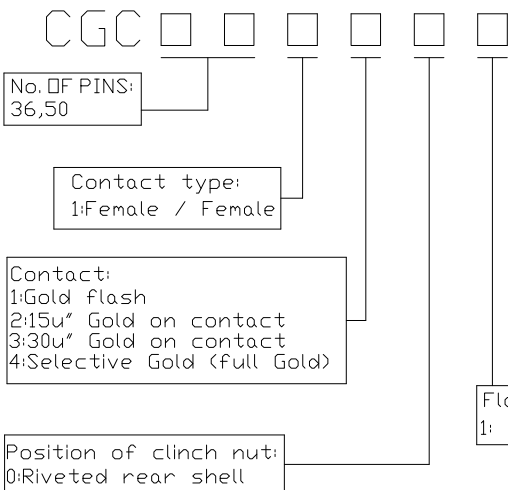
DESCRIPTION CONTROL			
REV.	DESC.	DATE.	APP.
1.0			

Current Rating:
 3 Amps
Insulator resistance:
 500 Megohms Min at 500 VDC
Dielectric withstanding:
 AC 500V for 1 minute
Operating Temperature:
 -55 ~ +105 °C
Contact Material:
 Brass Gold plated
Insulator Material:
 PBT(UL94V-0)



LATCH 4PCS

Positions	A	B	C
36	62.00	52.90	49.00
50	77.40	68.30	64.40



Flange Mounting Option:
 1: None(for shell with bail ear)

UNLESS OTHERWISE
 SPECIFIED SURFACE
 FINISH ALL OVER
 TOLERANCES mm

METRIC
 X. = ±0.5
 .X = ±0.30
 .XX = ±0.25
 .XXX = ±0.15

DRAW:	DATE:	TITLE:
BEN	07/10/06	CENTRONIC ADAPTER MALE TYPE
CHECK:	APPROVE:	MODEL CODE:
KEVIN	TONY	CGC-XX1101
		誠州電子有限公司 Sincere State Electronics Co.,Ltd.

NO.	DESCRIPTION	QTY
-----	-------------	-----