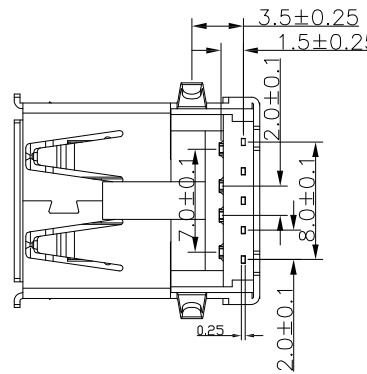
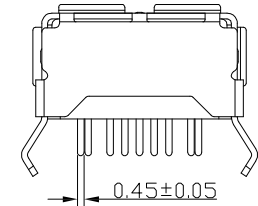
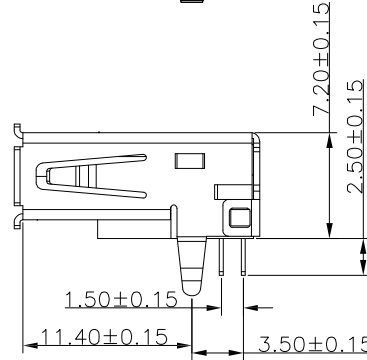
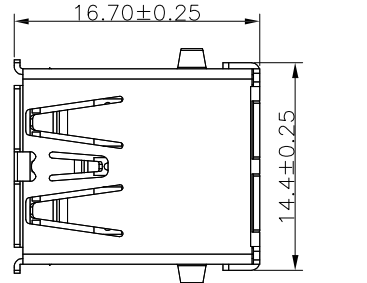
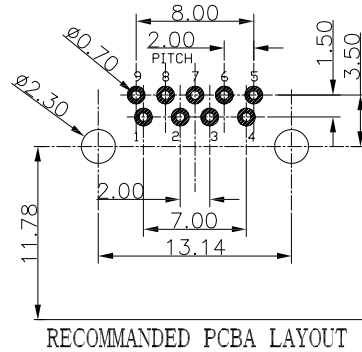
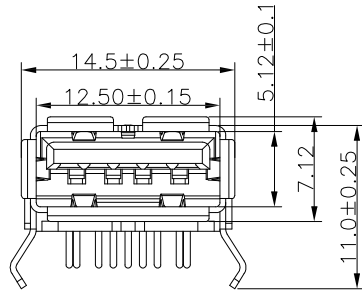


CUST. MODEL:	REF.
CUST. P/N	DWG FILE:

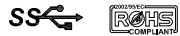
DESCRIPTION CONTROL			
REV.	DESC.	DATE	APP.

SPECIFICATIONS

Current Rating: 1.5AMP Max
Voltage Rating: 30mV Max
Insulator Resistance:
1000 Megohms min.
Contact Resistance:
30 m ohms max.
Dielectric withstanding:
AC 500V/ minute
Temperature Rating:
-30 to +85°C
Insulator Material:
HI Temperature UL94V-0
Blue(Pantone 300C)
Contact: Copper Alloy gold Plated On
Contact Area tin Plating On Solder Tail
Shell: Steel, Nickel Plating



Pin NUMBER	SIGNAL NAME	Pin NUMBER	SIGNAL NAME
1	VBUS	6	StdA_SSRX+
2	D-	7	GND_DRAIN
3	D+	8	StdA_SSTX-
4	GND	9	StdA_SSTX+
5	StdA_SSRX-	Shell	Shield



U56A□-09 □ □ □ □ □ □ □ □

A: A Type
B: B Type
C: 1394

No. OF PINS:

S10: Single port 90°
S15: Single port 180°
S20: Dual port 90°
S30: SMT

Gold Thickness
00: None
03: 03u"
05: 05u"
10: 10u"

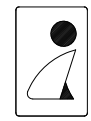
Insulator color
B:Black
W:white

Plating Material
G: Full Gold Plated
T: Full Tin Plated
P: Gold Plated & Tinned Tail

UNLESS OTHERWISE SPECIFIED SURFACE FINISH ALL OVER TOLERANCES mm
METRIC
.X = ±0.10
.XX = ±0.05

DRAW: *Chubby*
DATE: 01/22/10
CHECK: KEVIN
APPROVE: *Tony*

TITLE: USB 3.0 Socket A Type R/A PCB Mount Metal Shield
MODEL CODE: U560A3-09R2X1-72



誠州電子有限公司
Sincere State Electronics Co.,Ltd.