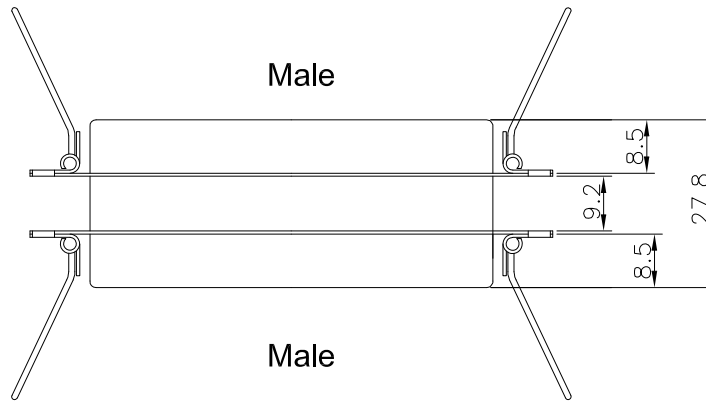
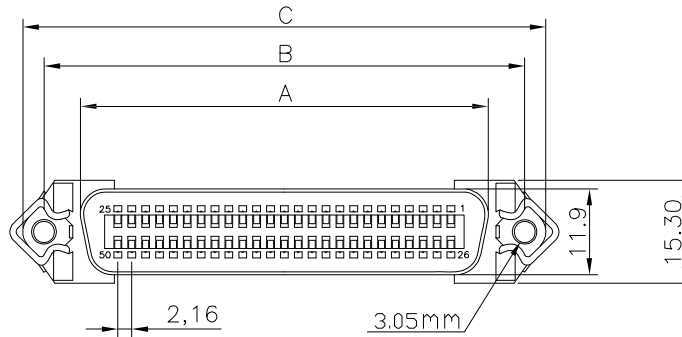


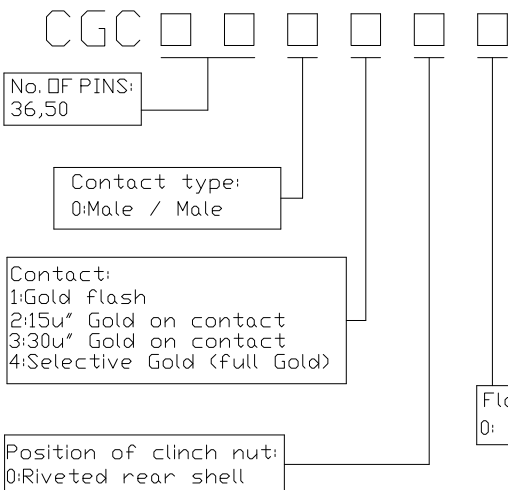
| | |
|--------------|-----------|
| CUST. MODEL: | REF: |
| CUST. P/N: | DWG FILE: |

| DESCRIPTION CONTROL | | | |
|---------------------|-------|-------|------|
| REV. | DESC. | DATE. | APP. |
| 1.0 | | | |

Current Rating:
 5 Amps
Insulator resistance:
 1000 Megohms Min at 500 VDC
Dielectric withstanding:
 1000V for 1 minute
Operating Temperature:
 -55 ~ +105 °C
Contact Material:
 Brass Gold plated
Insulator Material:
 PBT(UL94V-0)



| Positions | A | B | C |
|-----------|-------|-------|-------|
| 36 | 48.90 | 59.70 | 67.70 |
| 50 | 64.10 | 74.90 | 82.80 |



| | | |
|--|-------------------------------|---|
| UNLESS OTHERWISE SPECIFIED SURFACE FINISH ALL OVER TOLERANCES mm METRIC X. = ±0.5 .X = ±0.30 .XX = ±0.25 .XXX = ±0.15 | DRAW: BEN DATE: 07/10/06 | TITLE: CENTRONIC ADAPTER FEMALE TYPE |
| | CHECK: KEVIN APPROVE: TONY | MODEL CODE: CGC-XX0100 |
| | | 誠州電子有限公司 Sincere State Electronics Co.,Ltd. |

| NO. | DESCRIPTION | QTY |
|-----|-------------|-----|
|-----|-------------|-----|