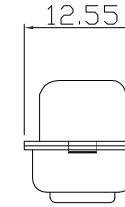
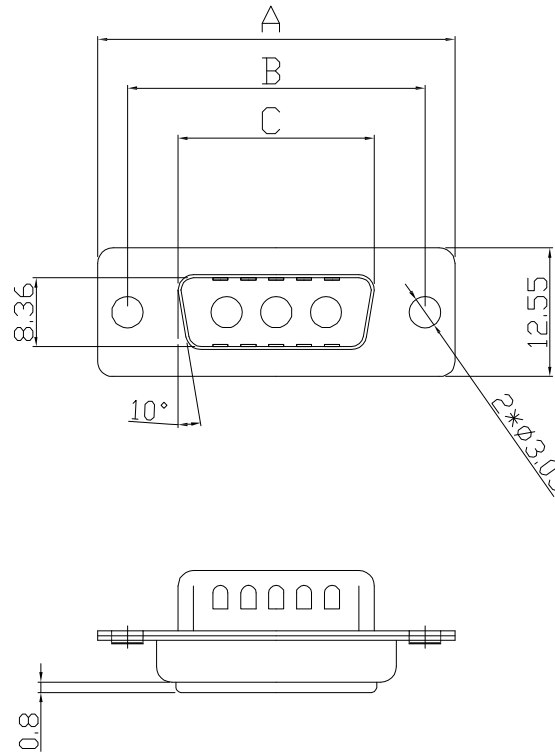
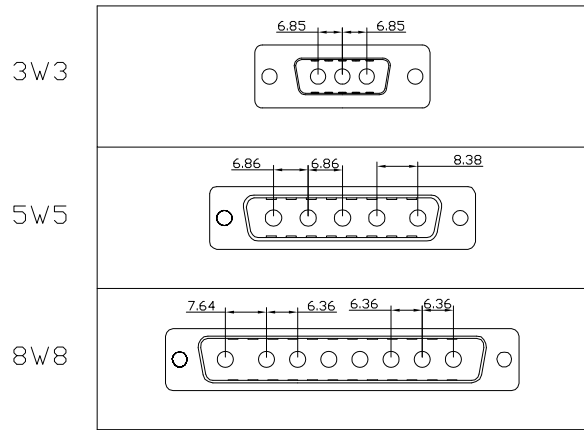


CUST. MODEL:	REF.
CUST. P/N	DWG FILE:

DESCRIPTION CONTROL			
REV.	DESC.	DATE	APP.

RoHS Compliance

Insulator resistance: 5000 Megohms Min.
 Dielectric withstanding: DC 1000V for 1 minute
 Operating Temperature: -55 ~ +125 °C
 Insulator Material:PBT (UL94V-0) BLACK



DS016-□ □ □ 1 □ 2 □ 1 □ 0

No. OF PINS:
 3W3
 5W5
 8W8

Contact type:
 1:Male

Contact:
 1:Gold flash and Tinned Tail
 2:15u' Gold on contact
 3:30u' Gold on contact
 4:Selective Gold (full Gold)

Position of clinch nut:
 0:3.05mm clear hole
 1:Riveted front 5.9mm
 2:Riveted rear 5.9mm

Shell Plated:
 0:NI
 1:TIN

Flange Mounting Option:
 0: 3.05mm clear hole
 1: #4-40 threaded hole
 2: #4-40 threaded hole with #4-40 unc screwlock installed
 3: #4-40 threaded hole with #4-40 unc screwlock bulk-packed
 4: M3 threaded hole
 5: M3 threaded hole with M3 screwlock installed
 6: M2.6 threaded hole
 7: M2.6 threaded hole with M2.6 screwlock installed

Dimensions			
Positions	A±0.38	B±0.15	C±0.25
3W3	39.14	33.32	25.5
5W5	53.04	47.04	38.96
8W8	63.91	63.50	55.42

UNLESS OTHERWISE SPECIFIED SURFACE FINISH ALL OVER TOLERANCES mm	DRAW: CHUBBY	DATE: 01/20/11	TITLE: D-Sub Power Pin Type
	CHECK: KEVIN	APPROVE: TONY	MODEL CODE: DS016-XXX1XXXX
			 誠州電子有限公司 <i>Sincere State Electronics Co.,Ltd.</i>

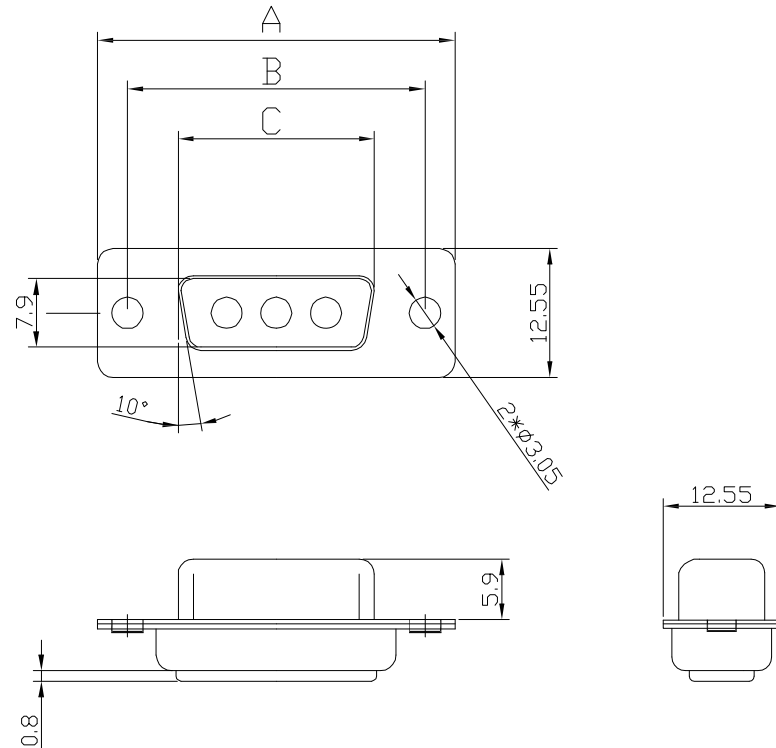
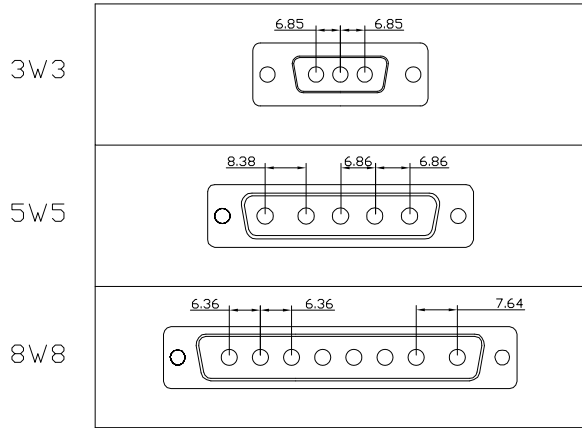
NO	DESCRIPTION	QTY
----	-------------	-----

CUST. MODEL:	REF.
CUST. P/N	DWG FILE:

DESCRIPTION CONTROL			
REV.	DESC.	DATE	APP.

RoHS Compliance


Insulator resistance: 5000 Megohms Min.
 Dielectric withstanding: DC 1000V for 1 minute
 Operating Temperature: -55 ~ +125 °C
 Insulator Material:PBT (UL94V-0) BLACK



DS016-□□□ 2 □ 2 □ 1 □ 0

No. OF PINS: 3W3 5W5 8W8	Contact type: 1:Female	Shell Plated: 0:NI 1:TIN
Contact: 1:Gold flash and Tinned Tail 2:15u' Gold on contact 3:30u' Gold on contact 4:Selective Gold (full Gold)	Flange Mounting Option: 0: 3.05mm clear hole 1: #4-40 threaded hole 2: #4-40 threaded hole with #4-40 unc screwlock installed 3: #4-40 threaded hole with #4-40 unc screwlock bulk-packed 4: M3 threaded hole 5: M3 threaded hole with M3 screwlock installed 6: M2.6 threaded hole 7: M2.6 threaded hole with M2.6 screwlock installed	
Position of clinch nut: 0:3.05mm clear hole 1:Riveted front 5.9mm 2:Riveted rear 5.9mm		

Positions	A±0.38	B±0.15	C±0.25
3W3	39.14	33.32	25.5
5W5	53.04	47.04	38.38
8W8	69.32	63.50	54.48

UNLESS OTHERWISE SPECIFIED SURFACE FINISH ALL OVER TOLERANCES mm METRIC .X = ±0.38 .XX = ±0.25	DRAW: CHUBBY	DATE: 01/20/11	TITLE: D-Sub Power Pin Type
	CHECK: KEVIN	APPROVE: TONY	MODEL CODE: DS016-XXX2XXXX
	 誠州電子有限公司 <i>Sincere State Electronics Co.,Ltd.</i>		

NO	DESCRIPTION	QTY
----	-------------	-----

CUST. MODEL:	REF.
CUST. P/N	DWG FILE:

DESCRIPTION CONTROL			
REV.	DESC.	DATE	APP.

Ordering Information

DS016— 01 1 □ □ 16

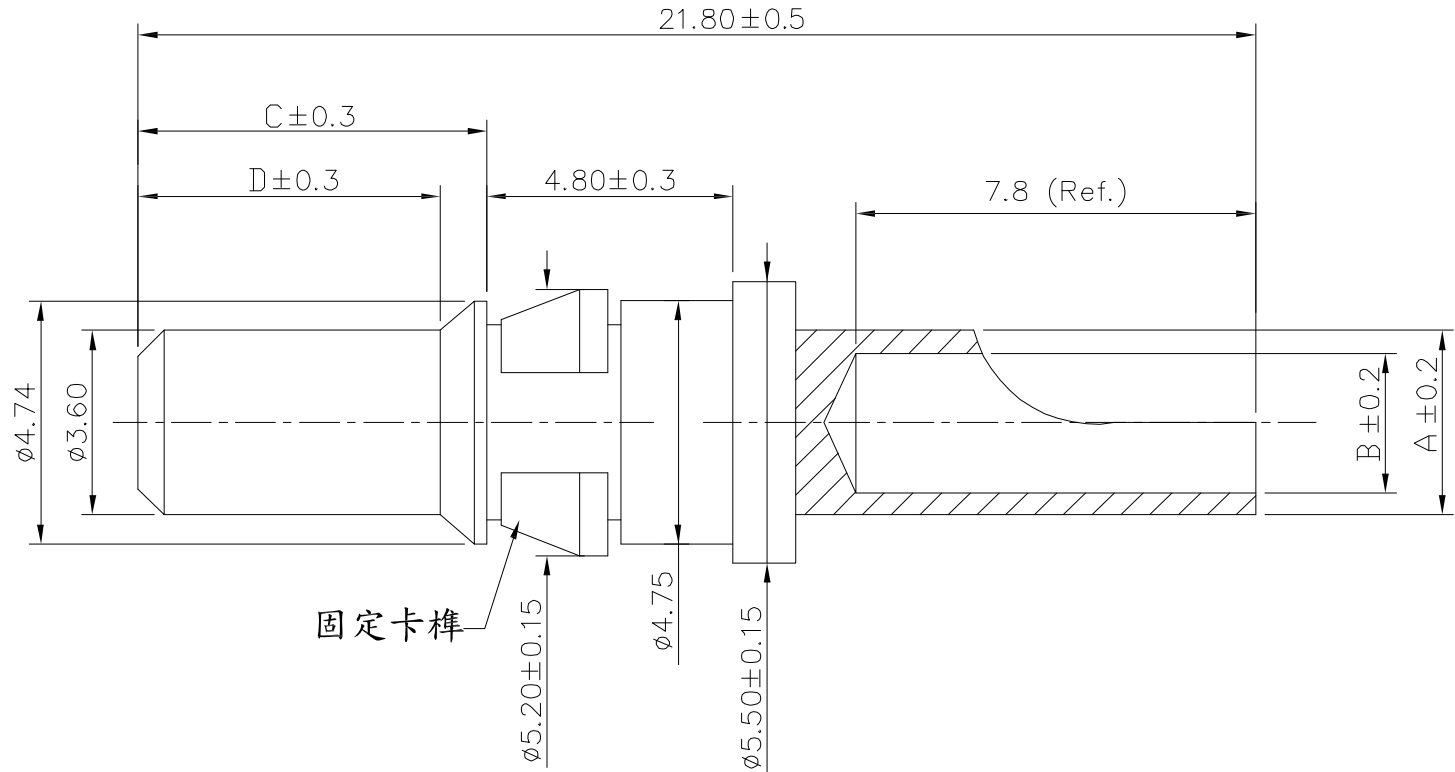
Series No.:

Contact:
01:SOLDER PIN
02:DIP PIN

Contact Type:
01:Male

Apply Power Bound:
10:10A
20:20A

Contact Plating:
1:GOLD PLATED 30"
2:GOLD PLATED 15"
3:GOLD PLATED 30"



Material:

Contact: Brass, Plated with gold
Lock Link: Brass, Plated with gold
Wire Awg: 12AWG~18AWG

Insulator resistance: 5000 Megohms Min.
Dielectric withstanding: DC 1000V for 1 minute
Operating Temperature: -55 ~ +125 °C
Insulator Material: PBT (UL94V-0) BLACK

Dimensions

Positions	A±0.2	B±0.2	C±0.3	D±0.3
10A	2.5	1.7	7.6	6.8
20A	3.6	2.7	6.8	5.9

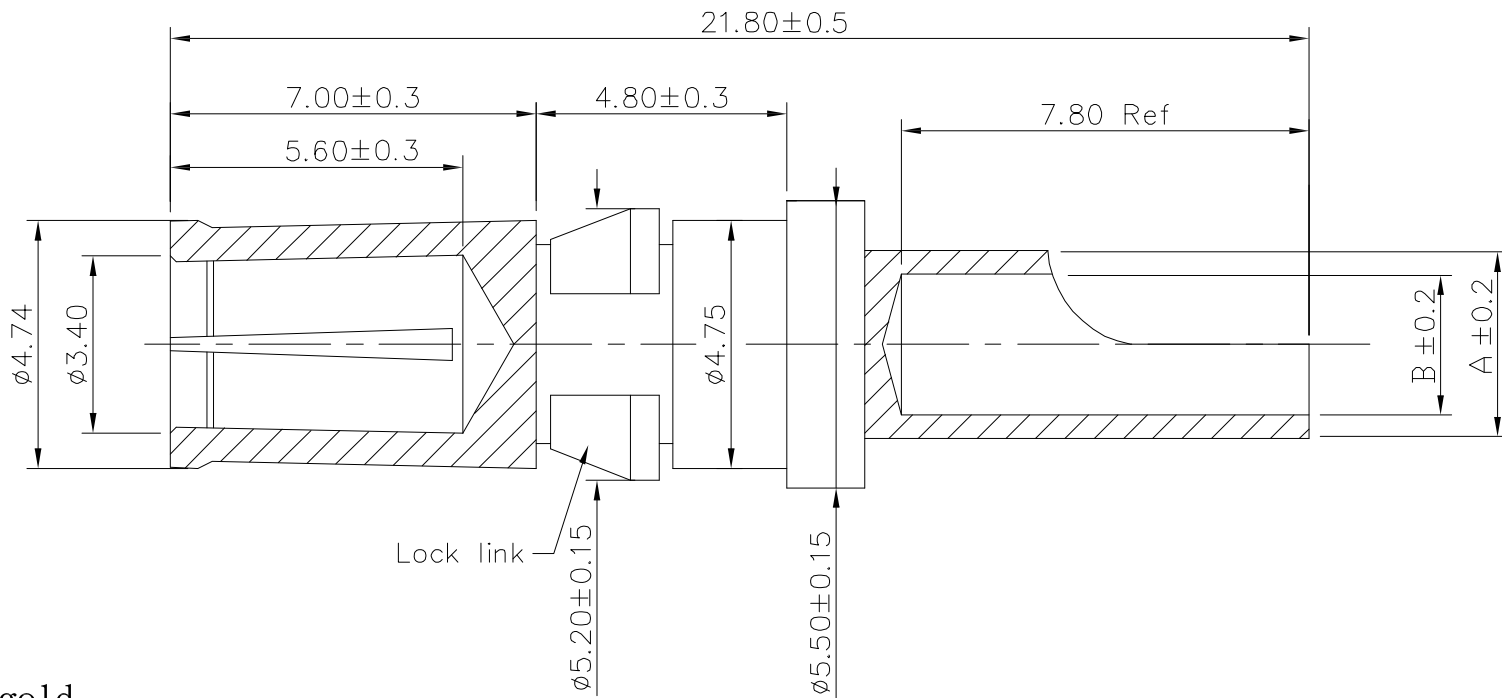
UNLESS OTHERWISE SPECIFIED SURFACE FINISH ALL OVER TOLERANCES mm METRIC .X = ±0.38 .XX = ±0.25	DRAW: <i>Chubby</i>	DATE: 01/20/11	TITLE: D-Sub Power Pin male
	CHECK: KEVIN	APPROVE: <i>TONY</i>	MODEL CODE: DS016-011XX116
			 誠州電子有限公司 <i>Sincere State Electronics Co., Ltd.</i>

CUST. MODEL:	REF.
CUST. P/N	DWG FILE:

DESCRIPTION CONTROL			
REV.	DESC.	DATE	APP.

Ordering Information

- DS016— 01 2 □ □ 12
- Series No: |
- Contact: 01:SOLDER PIN
02:DIP PIN
- Contact Type: 02:Female
- Apply Power Bound: 10:10A
20:20A
- Contact Plating: 1:GOLD PLATED 30U"
2:GOLD PLATED 15U"
3:GOLD PLATED 30U"



Material:

Contact: Brass, Plated with gold
Lock Link: Brass, Plated with gold
Wire Awg: 12AWG~18AWG

Dimensions

Positions	A±0.2	B±0.2
10A	2.5	1.7
20A	3.6	2.7

UNLESS OTHERWISE SPECIFIED SURFACE FINISH ALL OVER TOLERANCES mm METRIC .X = ±0.38 .XX = ±0.25	DRAW: <i>Chubby</i>	DATE: 01/20/11	TITLE: D-Sub Power Terminal Female
	CHECK: KEVIN	APPROVE: <i>TONY</i>	MODEL CODE: DS016-012XX116
			 誠州電子有限公司 <i>Sincere State Electronics Co., Ltd.</i>