

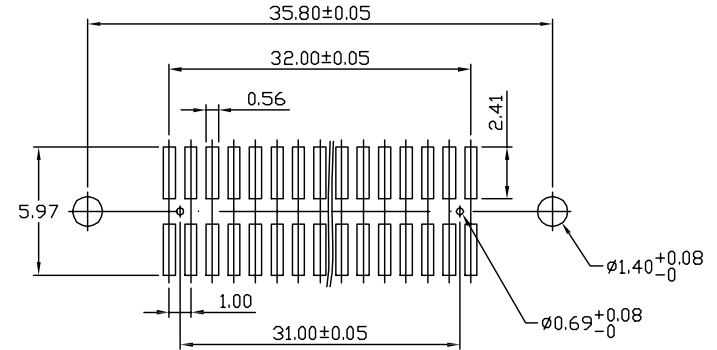
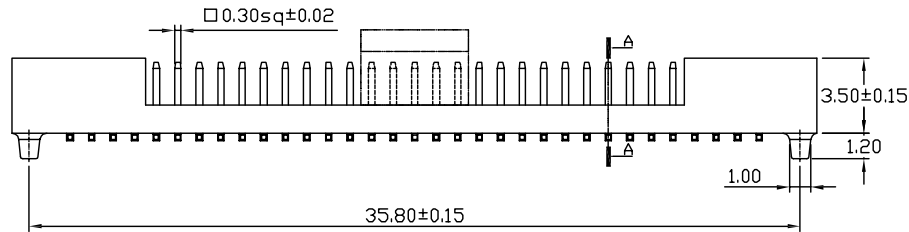
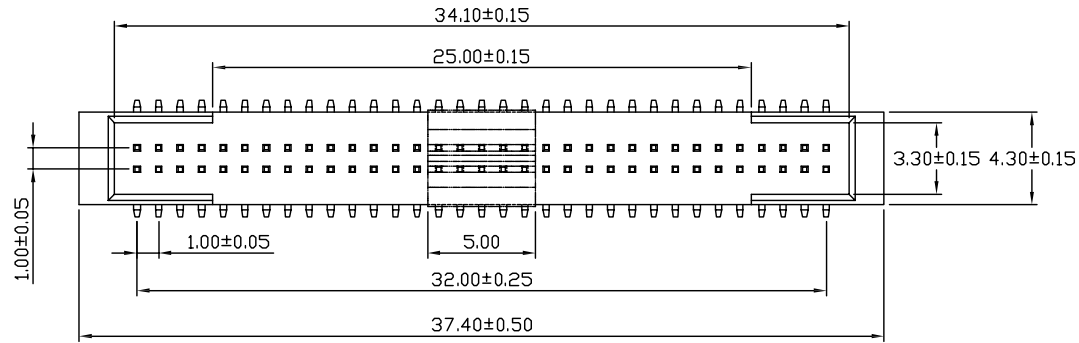
| | |
|--------------|-----------|
| CUST. MODEL: | REF. |
| CUST. P/N | DWG FILE: |

| DESCRIPTION CONTROL | | | |
|---------------------|-------|------|------|
| REV. | DESC. | DATE | APP. |
| | | | |

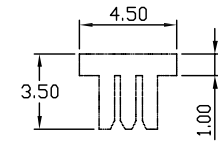
SPFCIFICATIONS

- Current Rating: 1.0 Amp
- Insulator Resistance: 1000 Megohms min.
- Contact Resistance: 20 m ohms max.
- Dielectric withstanding: AC 500V/minute
- Operating Temperature: -40°C to +105°C
- Contact Material: Brass
- Insulator Material: Nylon-9T UL94V-0
- Color: Black
- Finish: Gold, Tin or Duplex plated
- Standard: Gold flash all over
- Duplex plating: Gold plated on contact area
- Tin on solder area

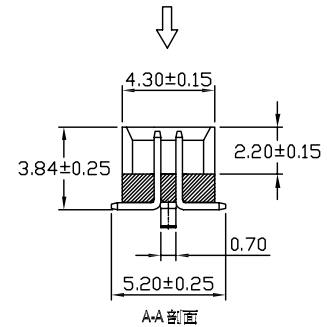
RoHS Compliance



Recommended P.C.B Layout



11CLA-0302



BH N B-10 M 03 2 XX-01G-35 X

- N: Nylon
- Color
- Pitch 1.0
- SMT Type
- Square Pin
- Row of Pin
- Number of Contact
- 0: Without Post
- 1: With Post
- Plastic High 35:3.5
- G: Gold Plated
- T: Tin Plated
- H: Duplex Plated
- Contact Plating
- 01 Normal
- 03 3u"
- XX

UNLESS OTHERWISE SPECIFIED SURFACE FINISH ALL OVER TOLERANCES mm

METRIC

.X = ±0.38

.XX = ±0.25

DRAW: CHUBBY

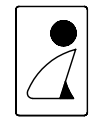
DATE: 01/10/07

CHECK: KEVIN

APPROVE: TONY

TITLE: 1.0 Box Header SMT Type Plastic High 3.5

MODEL CODE: BHNB-10M032XX-01G-35X



誠州電子有限公司

Sincere State Electronics Co.,Ltd.

| NO | DESCRIPTION | QTY |
|----|-------------|-----|
| | | |