

CUST. MODEL:	REF.
CUST. P/N	DWG FILE:

DESCRIPTION CONTROL			
REV.	DESC.	DATE	APP.
1.0			

**SPFCIFICATIONS**

Current Rating:  
1.0 Amp

Voltage Rating:  
30V AC/DC

Insulator Resistance:  
1000 M ohm min.

Contact Resistance:  
20 m ohm max.

Dielectric withstanding:  
AC 750V/minute

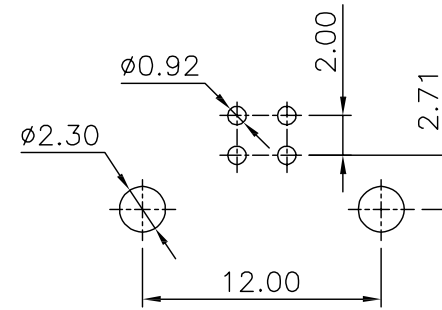
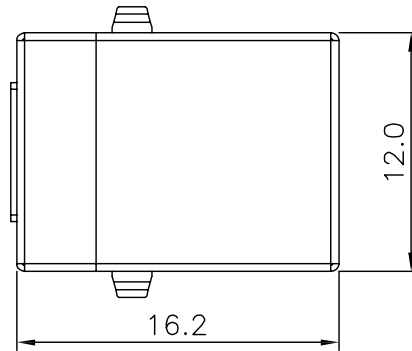
Operating Temperature:  
-40°C to +105°C

Contact Material:  
Copper Alloy

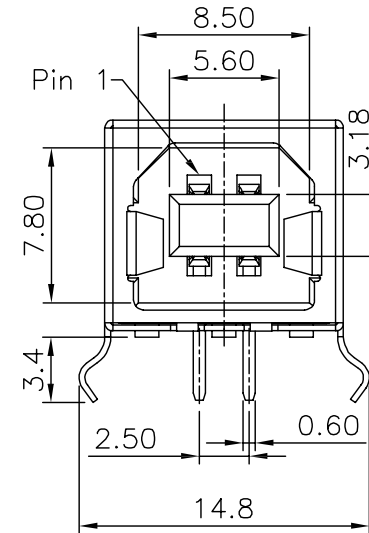
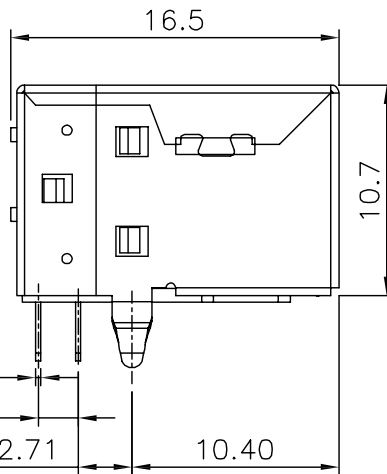
Insulator :  
High Temperature Material UL94V-0

Contact Plating: Selective Gold Plated

Shell: Brass With Nickel plated



PCB Layout



PCB Layout  
(Bottom View)



A: A Type  
B: B Type  
C: 1394

No. OF PINS:

S10: Single port 90°  
S15: Single port 180°  
S20: Dual port 90°  
S30: SMT

Gold Thickness  
00: None  
03: 3u"  
05: 5u"  
10: 10u"

Plating Material  
G: Full Gold Plated  
T: Full Tin Plated  
P: Gold Plated & Tinned Tail

UNLESS OTHERWISE SPECIFIED SURFACE FINISH ALL OVER TOLERANCES mm

METRIC

.X = ±0.20  
.XX = ±0.15

DRAW: Chubby  
DATE: 09/29/05  
CHECK: Kevin  
APPROVE:

TITLE: USB B Type PCB Female Right Angle

MODEL CODE: U560B-04S10-00P



誠州電子有限公司  
Sincere State Electronics Co.,Ltd.

NO	DESCRIPTION	QTY
----	-------------	-----