

CUST. MODEL:	REF:
CUST. P/N:	DWG FILE:

DESCRIPTION CONTROL			
REV.	DESC.	DATE.	APP.
1.0			

Material & Finish

SHELL:

Steel
 Cu plated over steel 120u”
 and Ni plated over Cu 50u”

PIN CONTACT:

Phosphor bronze or Brass
 Gold plated

INSULATOR:

PBT & Glass-fibre reinforced
 UL-94-V0

NUMBER OF CONTACT:

14,24,36,50

CURRENT RATING:

5 Amp

DIELECTRIC STRENGTH:

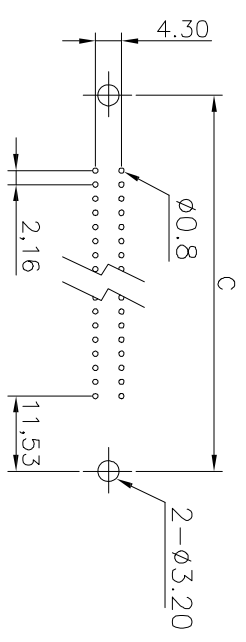
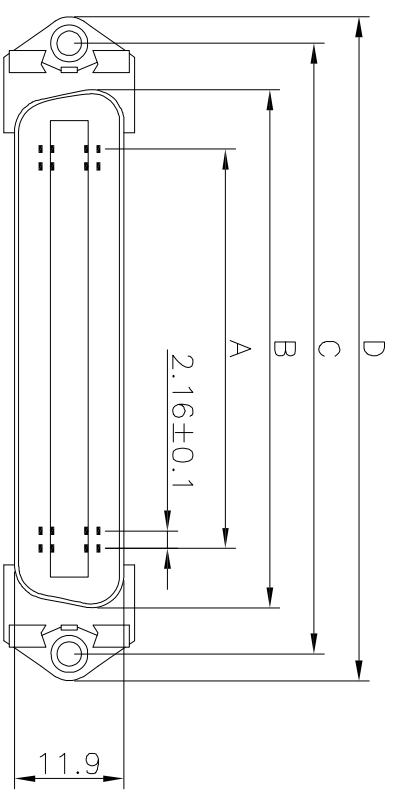
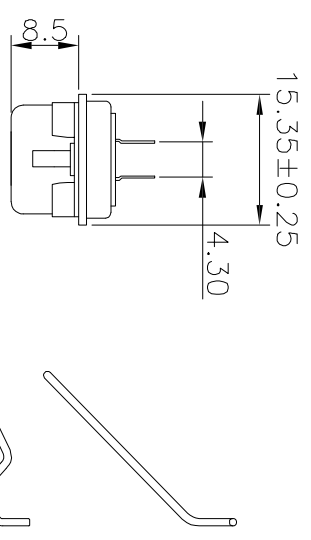
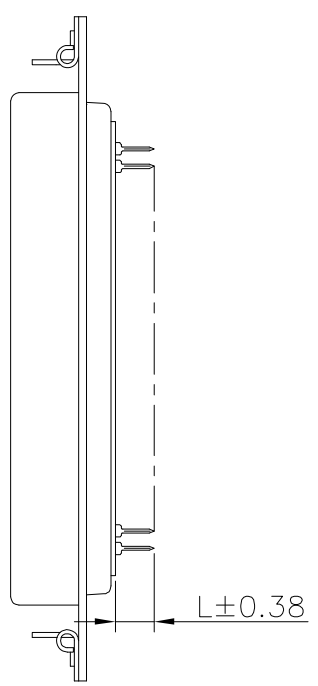
1000V for one minute

INSULATOR RESISTANCE:

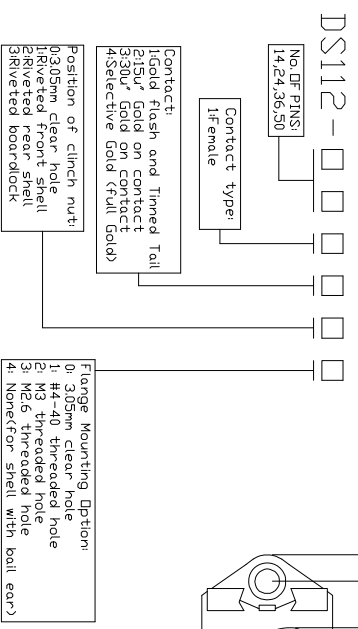
1000MΩ Min. (at 500V DC)

TEMPERATURE:

-55° C to +105° C



PCB Layout



- Flange Mounting Option:
- 0: 3.05mm clear hole
 - 1: #4-40 threaded hole
 - 2: M3 threaded hole
 - 3: M2.6 threaded hole
 - 4: None(for shell with ball ear)

- Position of clinch nut:
- 0: 3.05mm clear hole
 - 1: Riveted front shell
 - 2: Riveted rear shell
 - 3: Riveted boardlock

Positions	A	B	C	D	L
14	12.96	25.2	36.0	44.1	4.9
24	23.76	36.0	46.8	54.9	4.9
36	36.72	48.9	59.7	67.9	4.9
50	51.84	64.1	74.9	83.0	4.9

UNLESS OTHERWISE SPECIFIED SURFACE FINISH ALL OVER TOLERANCES: mm

METRIC

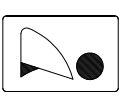
- X. = ±0.5
- .X = ±0.30
- .XX = ±0.25
- .XXX = ±0.15

DRAWN: BEN DATE: 05/17/05

CHECK: KEVIN APPROVE: TONY

TITLE: CENTRONIC PCB DIP TYPE FEMALE SPRING LATCH

MODEL CODE: DS112-XX1XX



誠州電子有限公司
 Sincere State Electronics Co., Ltd.