

CUST. MODEL:	REF.
CUST. P/N	DWG FILE:

DESCRIPTION CONTROL			
REV.	DESC.	DATE	APP.

SPFCIFICATIONS

Current Rating:
0.75 Amp

Insulator Resistance:
1000 Megohms min.

Contact Resistance:
20 m ohms max.

Dielectric withstanding:
AC 250V/minute

Operating Temperature:
-40°C to +105°C

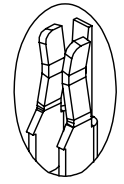
Contact Material:
Phosphor Bronze

Insulator Material:
High Temperature Thermoplastic
+Glass Fibre UL94V-0

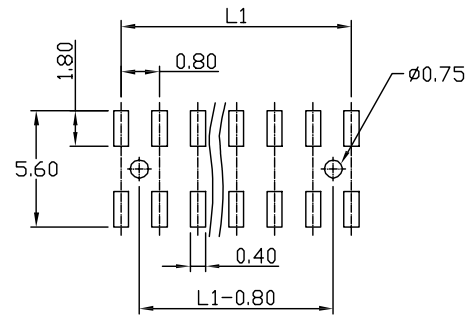
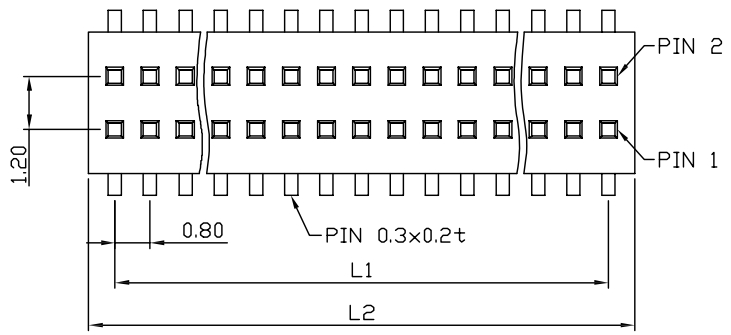
Color: Black

Finish:
Gold, Tin or Duplex plated
Standard: Gold flash all over
Duplex plating:
Gold plated on contact area
Tin on solder area

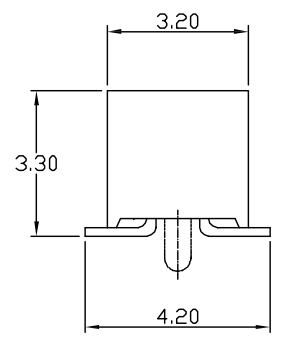
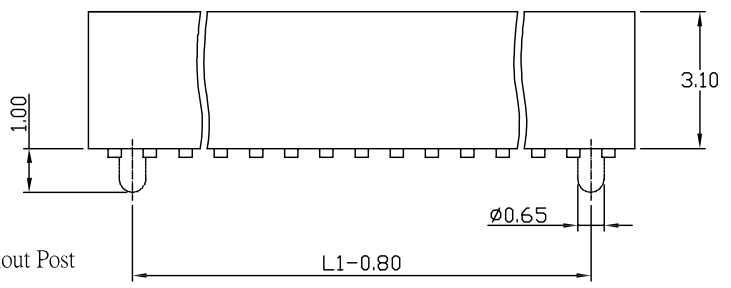
RoHS Compliance



Three Side Contact Terminal



Recommended P.C.B Layout



Cir-cuits	Dimension (mm)	
	L1	L2
2x2	0.80	2.10
2x3	1.60	2.90
2x4	2.40	3.70
2x5	3.20	4.50
2x6	4.00	5.30
2x7	4.80	6.10
2x8	5.60	6.90
2x9	6.40	7.70
2x10	7.20	8.50
2x11	8.00	9.30
2x12	8.80	10.10
2x13	9.60	10.90
2x14	10.40	11.70
2x15	11.20	12.50
2x16	12.00	13.30
2x17	12.80	14.10
2x18	13.60	14.90
2x19	14.40	15.70
2x20	15.20	16.50
2x21	16.00	17.30
2x22	16.80	18.10
2x23	17.60	18.90
2x24	18.40	19.70
2x25	19.20	20.50
2x26	20.00	21.30
2x27	20.80	22.10
2x28	21.60	22.90
2x29	22.40	23.70
2x30	23.20	24.50
2x31	24.00	25.30
2x32	24.80	26.10
2x33	25.60	26.90
2x34	26.40	27.70
2x35	27.20	28.50
2x36	28.00	29.30
2x37	28.80	30.10
2x38	29.60	30.90
2x39	30.40	31.70
2x40	31.20	32.50
2x41	32.00	33.30
2x42	32.80	34.10
2x43	33.60	34.90
2x44	34.40	35.70
2x45	35.20	36.50
2x46	36.00	37.30
2x47	36.80	38.10
2x48	37.60	38.90
2x49	38.40	39.70
2x50	39.20	40.50

FH N B-08 M X 2 XX-01G-31 0

N: Nylon
Color
Pitch 0.8
SMT Type
Terminal Type
Row of Pin
Number of Contact

0: Without Post
Plastic High 31:3.1
G: Gold Plated
T: Tin Plated
H: Duplex Plated
Contact Plating
01 Normal
03 3u"
: :
: :

UNLESS OTHERWISE SPECIFIED SURFACE FINISH ALL OVER TOLERANCES mm

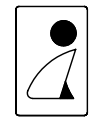
METRIC

.X = ±0.38
.XX = ±0.25

DRAW: CHUBBY
DATE: 01/10/07
CHECK: KEVIN
APPROVE: TONY

TITLE: 0.8 Female Header SMT Type Plastic High 3.1

MODEL CODE: FHNB-08MT2XX-01G-310



誠州電子有限公司
Sincere State Electronics Co.,Ltd.

NO	DESCRIPTION	QTY