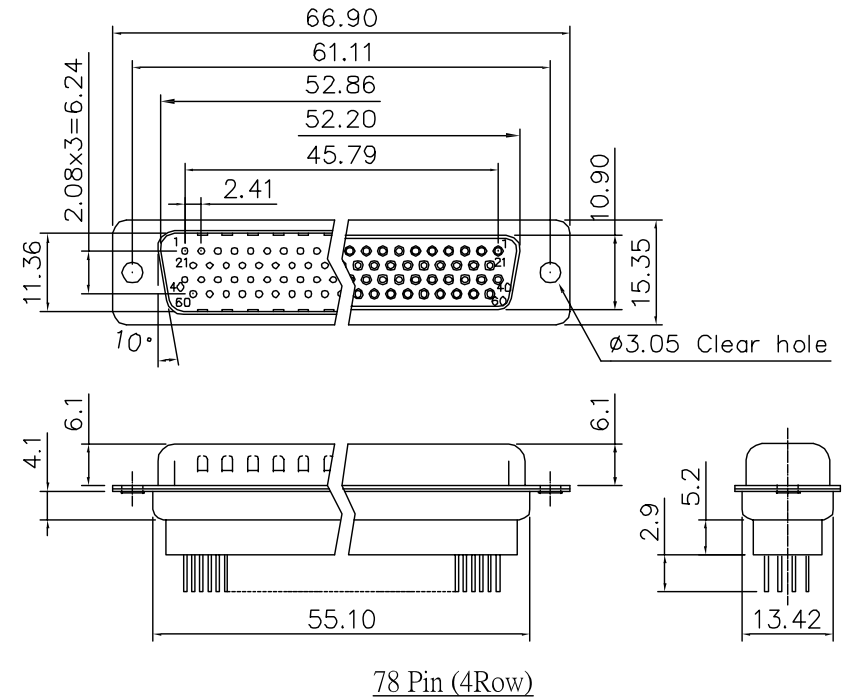
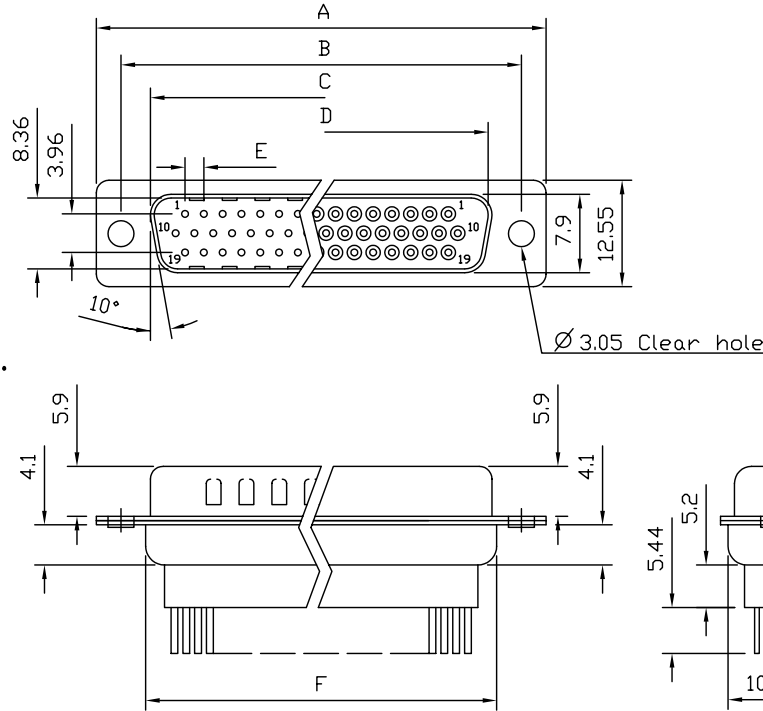


CUST. MODEL:	REF.
CUST. P/N	DWG FILE:

DESCRIPTION CONTROL			
REV.	DESC.	DATE	APP.

Current Rating:
 3 Amps
Voltage Rating:
 250V AC R.M.S.
Insulator resistance:
 1000 Megohms Min.
Dielectric withstanding:
 DC 1000V for 1 minute
Contact resistance:
 30miliohms Megohms Max.
Operating Temperature:
 -55 ~ +105 °C
Contact Material:
 Brass
Insulator Material:
 PBT(UL94V-0)

RoHS Compliance



DS014-□□□□□□

No. OF PINS:
15,26,44,62
78

Contact type:
1:Male,2:Female

Contact:
1:Gold flash and Tinned Tail
2:15u" Gold on contact
3:30u" Gold on contact
4:Selective Gold (full Gold)

Position of clinch nut:
0:3.05mm clear hole
1:Riveted front shell
2:Riveted rear shell
3:Riveted boardlock

Flange Mounting Option:
0: 3.05mm clear hole
1: #4-40 threaded hole
2: #4-40 threaded hole with #4-40 unc screwlock installed
3: #4-40 threaded hole with #4-40 unc screwlock bulk-packed
4: M3 threaded hole
5: M3 threaded hole with M3 screwlock installed
6: M2.6 threaded hole
7: M2.6 threaded hole with M2.6 screwlock installed

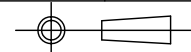
Positions	A	B	C	D	E	F
15	30.81	24.99	16.92	16.33	2.29	19.20
26	39.14	33.32	25.50	24.66	2.29	27.70
44	53.04	47.04	38.96	38.38	2.29	41.10
62	69.32	63.50	55.42	54.84	2.41	57.30
78(4Row)	66.90	61.11	52.86	52.20	2.41	55.10

UNLESS OTHERWISE SPECIFIED SURFACE FINISH ALL OVER TOLERANCES mm

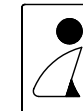
METRIC

.X = ± 0.38
.XX = ± 0.25

DRAW: CHUBBY
DATE: 01/10/07
CHECK: KEVIN
APPROVE: TONY



TITLE: D-Sub HDD Hight Profile Straight Type
MODEL CODE: DS014-XXXXXX



誠州電子有限公司
Sincere State Electronics Co.,Ltd.

NO	DESCRIPTION	QTY
----	-------------	-----